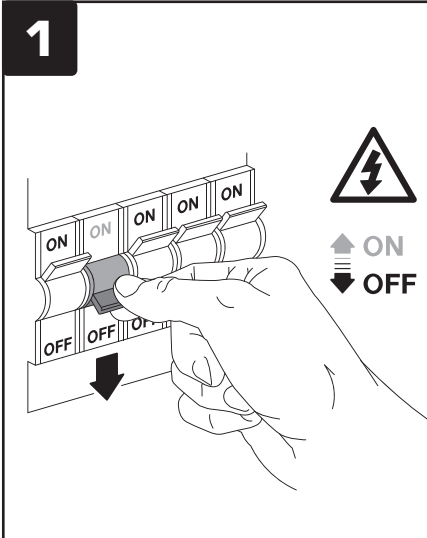


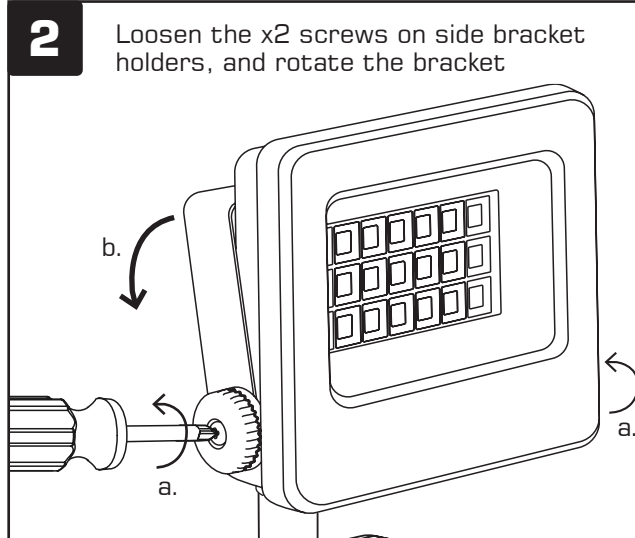
1



ON ON ON ON
 OFF OFF OFF OFF

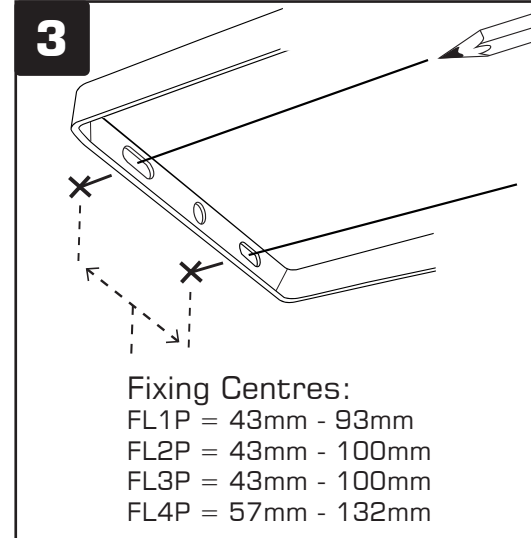
⚡
 ON
 OFF

2 Loosen the x2 screws on side bracket holders, and rotate the bracket



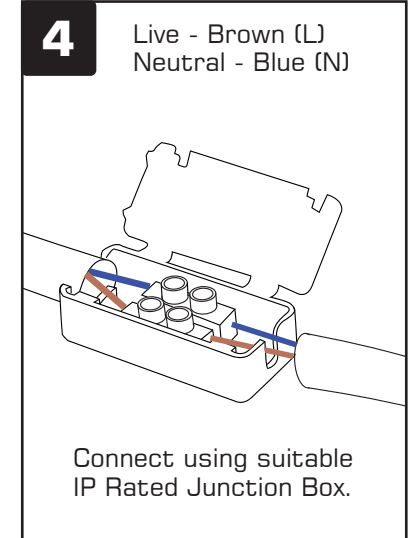
a. b.

3



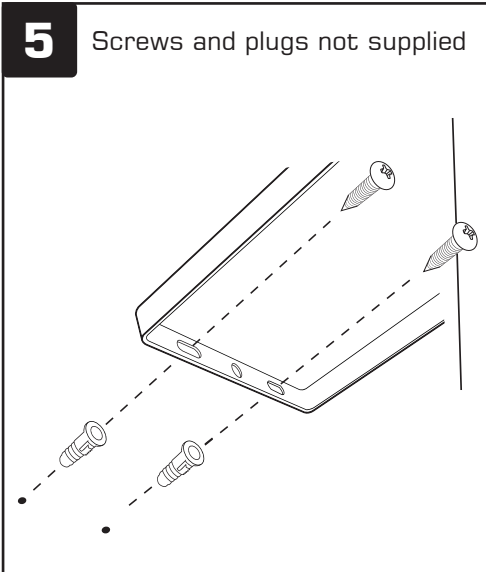
Fixing Centres:
 FL1P = 43mm - 93mm
 FL2P = 43mm - 100mm
 FL3P = 43mm - 100mm
 FL4P = 57mm - 132mm

4 Live - Brown (L)
 Neutral - Blue (N)

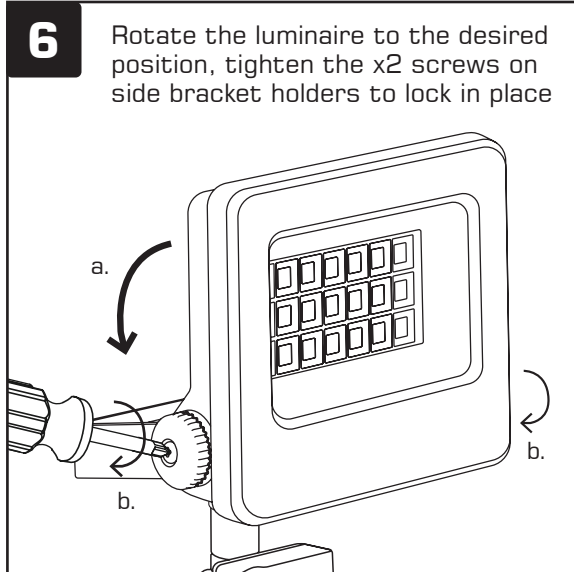


Connect using suitable IP Rated Junction Box.

5 Screws and plugs not supplied



6 Rotate the luminaire to the desired position, tighten the x2 screws on side bracket holders to lock in place



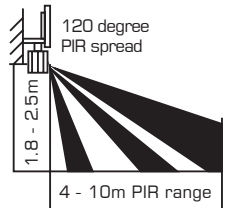
a. b.

7 Adjust the PIR sensor to the desired position and settings

SENS:
 The sensitivity of the detector can be adjusted according to the use of the location. Detection range can be adjusted from 4m to 10m.

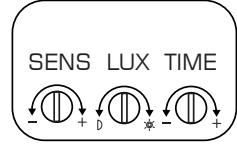
LUX:
 The level of illuminance at which the PIR detector can be activated so that it can detect movement. Levels can be adjusted between 5 and 2000 Lux.

TIME:
 The period that the lamp stays on after no more movement is detected. Can be adjusted between 3secs to 8mins.

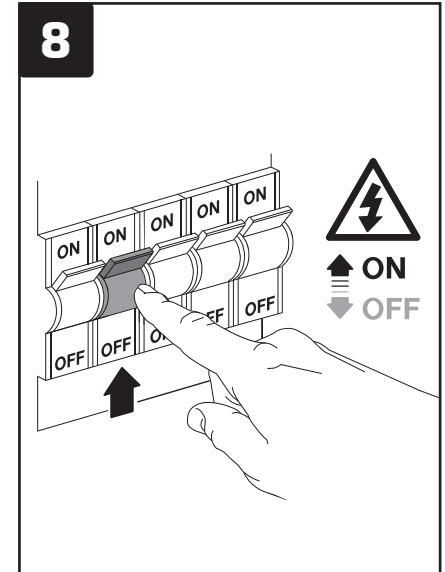


120 degree PIR spread
 1.8 - 2.5m
 4 - 10m PIR range

SENS LUX TIME



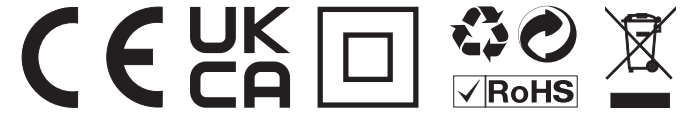
8



⚡
 ON
 OFF

ENLITE®

CODE: FL1P, FL2P, FL3P, FL4P
IP65 IP65 NON-DIMMABLE POLYCARBONATE
LED FLOODLIGHT WITH PIR SENSOR




IMPORTANT INSTALLATION INFORMATION

- Installation should be carried out by a qualified electrician in accordance with the latest edition of the National wiring regulations.
- Mains supply voltage 220-240V AC 50/60Hz
- Ensure that ALL electrical connections are tight with no loose strands including factory made connections.
- Class II, Double Insulated an earth is not required.
- IP65 protected against dust and jets of water. They are suitable for installation in locations containing a bath or shower, as defined by the National Wiring Regulations, Zones 1 & 2 where water jets are likely.
- There are no replaceable parts in this luminaire.
- These luminaires are not dimmable.
- Caution: Do not stare directly into the LEDs in operation. These are high power LED floodlights and may be harmful to eyes. This product contains a light source of energy efficiency class E.
- LIVE – (Brown) to Terminal Marked L
NEUTRAL – (Blue) to Terminal Marked N

WARRANTY INFORMATION

Environmental Protection (W.E.E.E.) – Enlite's WEEE Reg.No. WEE/BG0130YX (UK Only)

 Waste Electrical & Electronic Equipment Regulations (WEEE) requires that any of our products showing this marking (left) must not be disposed of with other household or commercial waste. Enlite does not levy any WEEE disposal charges to its customers for affected WEEE related products. To prevent possible harm to the environment or human health from uncontrolled waste disposal, please separate any such product from other waste types and recycle it responsibly at your local facilities. Check with your Local Authority, Recycling Centre or retailer for recycling advice. If, when you purchased any Enlite product, your supplier included a WEEE disposal fee, you should then contact your supplier for advice on his take back of the product for the correct disposal.

GUARANTEE

This product is guaranteed for a period of 2 years from the date of purchase. The guarantee is invalid in the case of improper use, installation, tampering, and removal of the Q.C. date label, installation in an improper working environment or installation not according to the current edition of the National Wiring Regulations. Should this product fail during the guarantee period it will be replaced free of charge, subject to correct installation and return of the faulty unit. Enlite does not accept responsibility for any installation costs associated with the replacement of this product. This warranty is in addition to the statutory rights in your country of purchase. Enlite reserves the right to alter specifications without prior notice.