



## AECOLN/CCT/2

Ecoline CCT Batten 18W



## Features

Slim, robust economic LED batten suitable for ancillary areas and industrial applications

Excellent light uniformity through high transmittance polycarbonate diffuser

Supplied complete with versatile mounting clips. Clips can be located anywhere along the spine of the luminaire

CCT selector conveniently located under batten end cap

Selectable CCT between 3000K, 4000K and 6500K

Pre-wired with 600mm cable

Non-dimmable

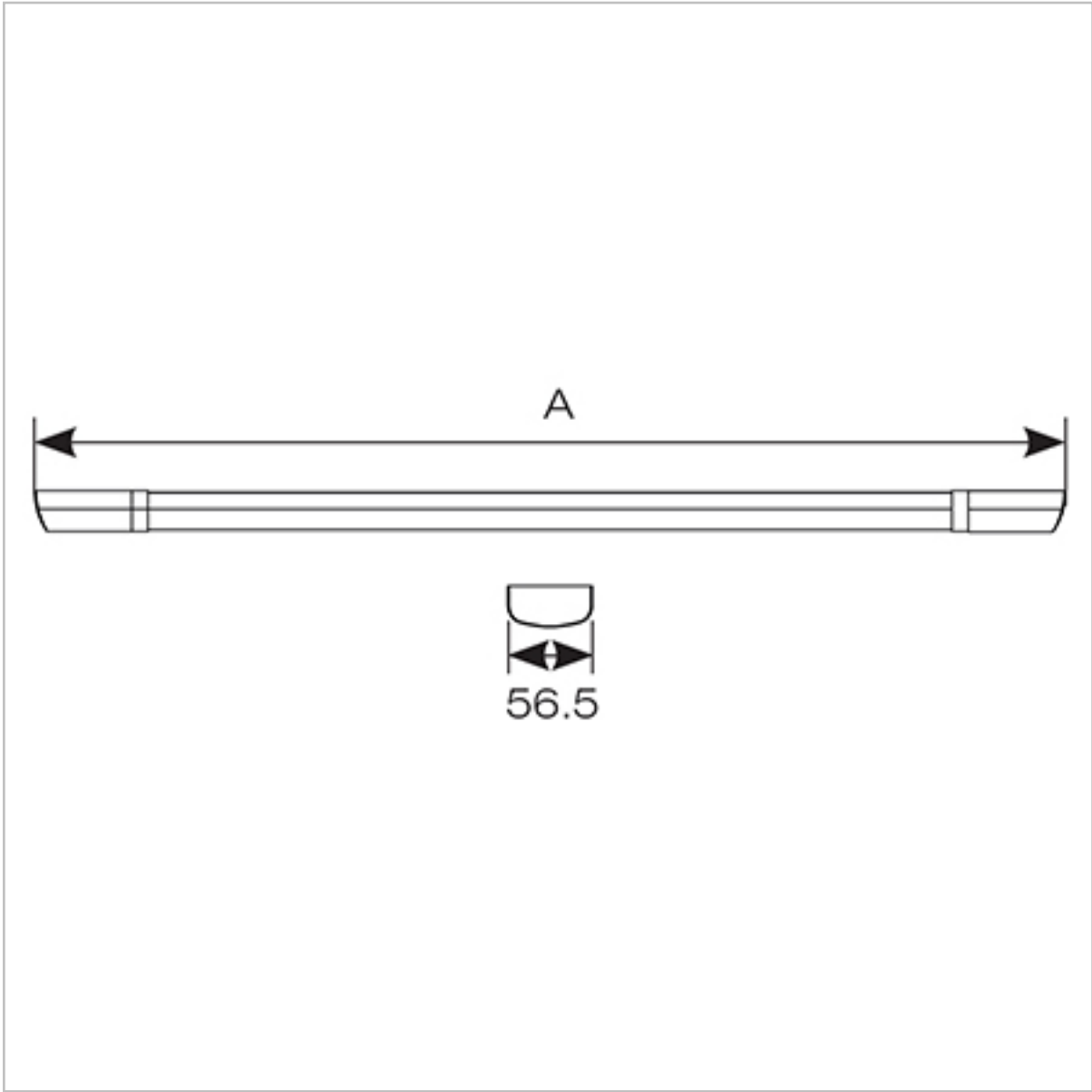
## General Information

Lamp Type	LED
IP Rating	IP20
IK Rating	IK06
Class Protection	2
Internal / External	Internal
Surface / Recessed / Suspended	Surface
Lifetime (Hrs)	L70 50,000
Warranty (Years)	3
Length (mm)	690
Width (mm)	56.5

## Technical Information

Wattage	18W
Lumens Delivered	1990lm (4000K)
Lm/W	110lm (4000K)
Beam Angle	120
CRI	Ra 80
CCT	3000K/4000K/6500K
Input	220/240V
Hertz	50/60Hz
Operating Temp	-20°C to 40°C
SDCM	6

Datasheet generated from <https://onetimepim.com> last updated Wednesday, June 15, 2022 8:53:17 AM





## AECOLN/CCT/4

Ecoline CCT Batten 30W



## Features

Slim, robust economic LED batten suitable for ancillary areas and industrial applications

Excellent light uniformity through high transmittance polycarbonate diffuser

Supplied complete with versatile mounting clips. Clips can be located anywhere along the spine of the luminaire

CCT selector conveniently located under batten end cap

Selectable CCT between 3000K, 4000K and 6500K

Pre-wired with 600mm cable

Non-dimmable

## General Information

Lamp Type	LED
IP Rating	IP20
IK Rating	IK06
Class Protection	2
Internal / External	Internal
Surface / Recessed / Suspended	Surface
Lifetime (Hrs)	L70 50,000
Warranty (Years)	3
Length (mm)	1200
Width (mm)	56.5

## Technical Information

Wattage	30W
Lumens Delivered	3910lm (4000K)
Lm/W	130lm (4000K)
Beam Angle	120
CRI	Ra 80
CCT	3000K/4000K/6500K
Input	220/240V
Hertz	50/60Hz
Operating Temp	-20°C to 40°C
SDCM	6

Datasheet generated from <https://onetimepim.com> last updated Wednesday, June 15, 2022 8:53:17 AM

