



APRILEDP/AG/CCT

Prism Pro CCT Anti-Glare FRD 7W



Features

220-240V IP65 LED CCT Fire Rated Downlight

Anti-glare design to create visual comfort

Supplied with matt white bezel as standard. Chrome, satin chrome and matt black bezels sold separately

Integrated switch allows installer the choice of 2700K, 3000K, 4000K or 6000K colour temperature options

Remote driver with 2x1.5mm² + CPC loop-in, loop-out colour coded push fit piano terminals provide an easy and efficient installation

Detachable LED driver for fast fix install

Low profile design and remote driver allow installation into shallow ceiling voids

Fully tested for 30, 60 and 90 minute ceiling types to meet Part B of Building Regulations

Fully tested to meet Part C (moisture) and Part E (acoustic) of Building Regulations

LED Lifespan L70 60,000 hours

General Information

Lamp Type	LED
Colour / Finish	Matt white
Fire Rated	Yes
IP Rating	IP65
Class Protection	2
Internal / External	Internal
Surface / Recessed / Suspended	Recessed
Warranty (Years)	5
CE Mark	Yes
Diameter (mm)	88
Height (mm)	80
Accessories	APRILEDPBZ/AG/WW, APRILEDPBZ/AG/BB, APRILEDPBZ/AG/CHB, APRILEDPBZ/AG/SCB, APRILEDP/TRIM

Technical Information

Wattage	7W
Lumens Delivered	460lm (2700K) - 515lm (6000K)
Lm/W	66lm (2700K) - 74lm (6000K)
Beam Angle	50
CRI	Ra 80
CCT	2700K/3000K/4000K/6000K
Input	230V
Hertz	50/60Hz
Operating Temp	-5°C to 25°C

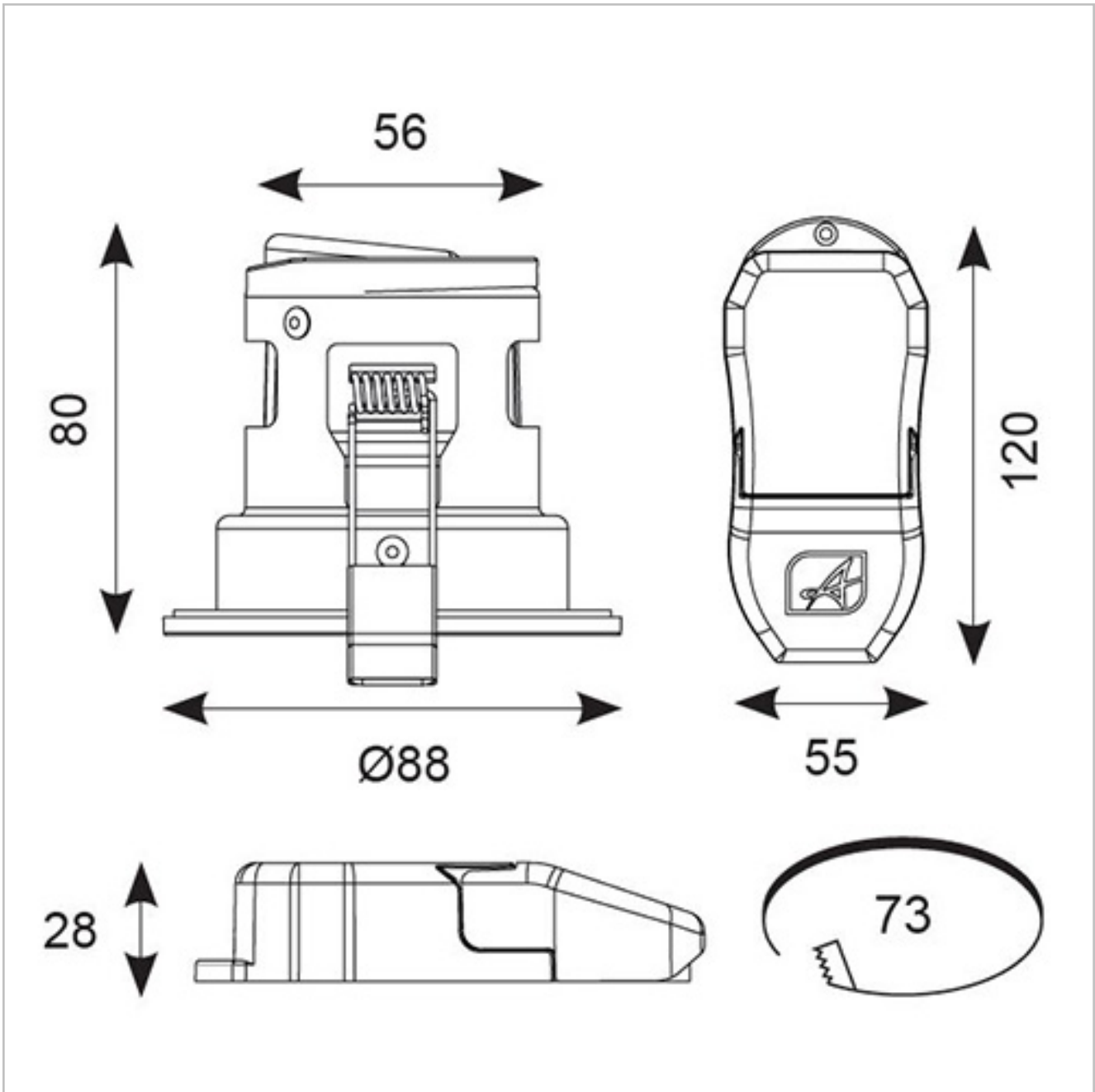


Technical Data - ETIM - Downlight/spot/floodlight (EC001744)

Suitable for surface mounting	No
Suitable for built-in mounting	Yes
Suitable for wall mounting	No
Suitable for suspended mounting	No
Suitable for ceiling mounting	Yes
Suitable for traverse mounting	No
Suitable for pedestal/floor mounting	No
Suitable for light-track mounting	No
Suitable for clamp-mounting	No
Adjustability	Not adjustable
With movement sensor	No
With light sensor	No
With light source	Yes
Suitable for number of lamps	1
Colour housing	White
Nominal voltage	230-230 V
Control gear included	Yes
Beam angle	Wide beam 41-80°
Degree of protection (IP)	IP65
Protection class	II
Max. system power	7 W
Colour temperature	2700-6000 K
Colour rendering index CRI	80-89
Luminous flux	460-515 lm
Lamp efficacy	74 lm/W

Height/depth 80 mm

Outer diameter 88 mm



Datasheet generated from <https://onetimepim.com> last updated Tuesday, November 3, 2020 11:10:27 AM