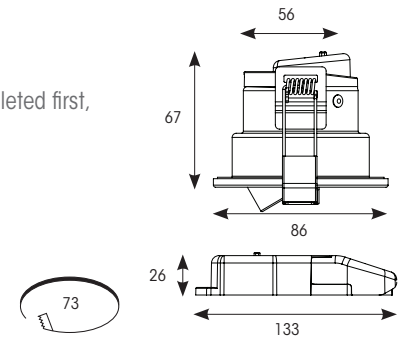


Prism Pro Fire Rated Gimbal



- 220-240V IP20 dimmable LED 4 CCT selectable fire rated performance gimbal suitable for residential and hospitality applications
- CCT selectable between 2700K, 3000K, 4000K and 6000K and power selectable; offering a choice of 2 outputs, in one luminaire
- 30° tilt angle
- New innovative 2 part detachable connector design allows initial wiring and testing to be completed first, then simply plug the downlight back to the connector, ensuring a quick and simple installation
- Remote driver with 2x1.5mm² + CPC loop-in, loop-out colour coded push fit piano terminals provide an easy and efficient installation
- Low profile design and remote driver allows installation into shallow ceiling voids
- Fully tested for 30, 60 and 90 minute ceiling types to meet Part B of Building Regulations
- Fully tested to meet Part E (acoustic) and Part L (energy) of Building Regulations
- Wide 60° beam angle for increased light distribution



OCTO
Compatible

Powered by
CASAMBI



Available options
Chrome, Satin Chrome and Black

INPUT	HERTZ	TEMP	LIFETIME (HRS)	CRI	SDCM	BEAM ANGLE	CLASS	IP
220/240V	50/60Hz	-20°C to 35°C	L70 60,000	Ra 80	6	70°	1	IP20

CODE	DESCRIPTION	WATTAGE	CCT	LUMENS	LM/W	UGR
APRIPG/1/WH	CCT Selectable - Matt White	5/7W	2700/3000/ 4000/6000K	530lm (5W 4000K) 690lm(7W 4000K)	105lm (5W 4000K) 100lm(7W 4000K)	28
APRIPG/1/CH	CCT Selectable - Chrome					
APRIPG/1/SC	CCT Selectable - Satin Chrome					
APRIPG/1/BLK	CCT Selectable - Black					

* UGR Value based on (4H - 8H)

CODE (ACCESSORIES)	DESCRIPTION
ACFLP/3	LED Emergency Lighting Pack