



ATLED/WL/WW

Tempo - 10W Warm White - Graphite



Features

Contemporary die-cast aluminium LED wall light suitable for residential and hospitality applications

Adjustable head to 90° for variable direction of light

Standard and PIR options

Graphite textured powder coat paint finish

Available in 3000K and 4000K options

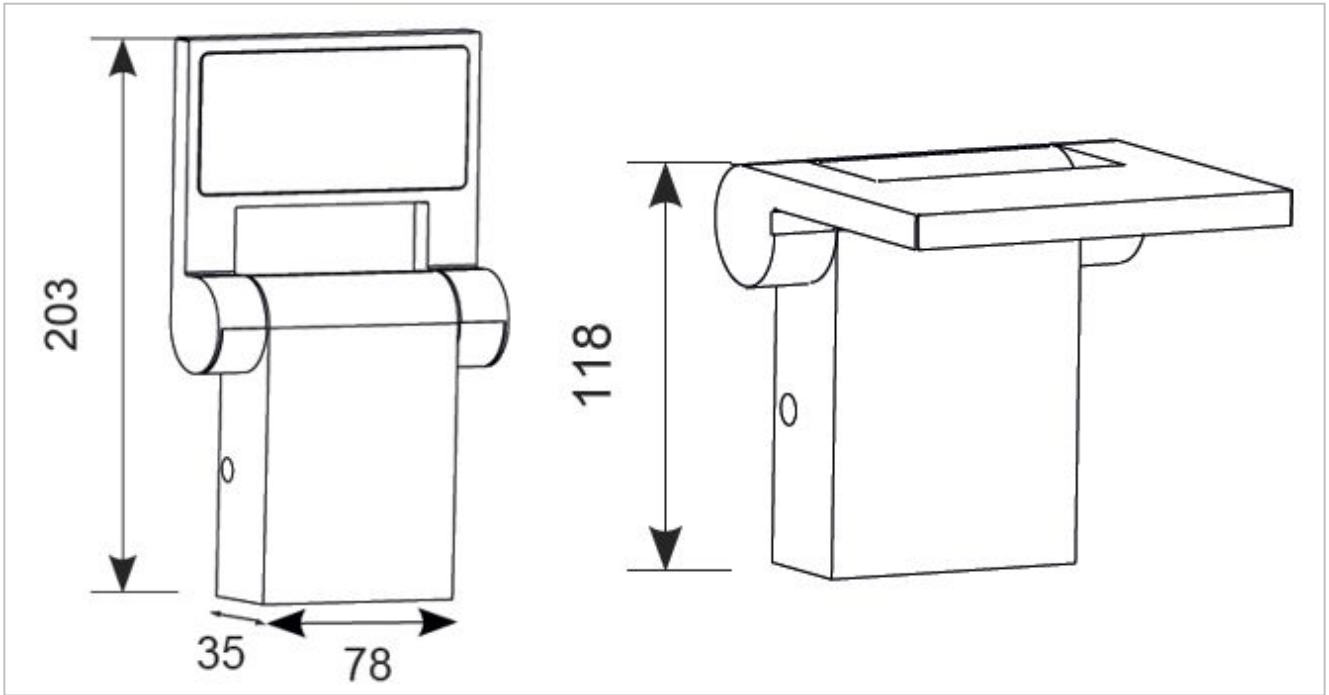
Non-dimmable

General Information

Lamp Type	LED
Colour / Finish	Graphite
IP Rating	IP54
IK Rating	IK07
Class Protection	1
Internal / External	External
Surface / Recessed / Suspended	Surface
Lifetime (Hrs)	L70 36,000
Warranty (Years)	3
CE Mark	Yes
Width (mm)	78
Height (mm)	203
Depth (mm)	35

Technical Information

Wattage	10W
Lumens Delivered	685lm
Lm/W	64lm
Beam Angle	110
CRI	Ra 80
CCT	3000K
Input	230V
Hertz	50/60Hz
Operating Temp	-20°C to 45°C
SDCM	6



Datasheet generated from <https://onetimepim.com> last updated Tuesday, July 5, 2022 2:23:11 PM



ATLED/WL/PIR/WW

Tempo - 10W Warm White PIR - Graphite



Features

Contemporary die-cast aluminium LED wall light suitable for residential and hospitality applications

Adjustable head to 90° for variable direction of light

Standard and PIR options

Graphite textured powder coat paint finish

Available in 3000K and 4000K options

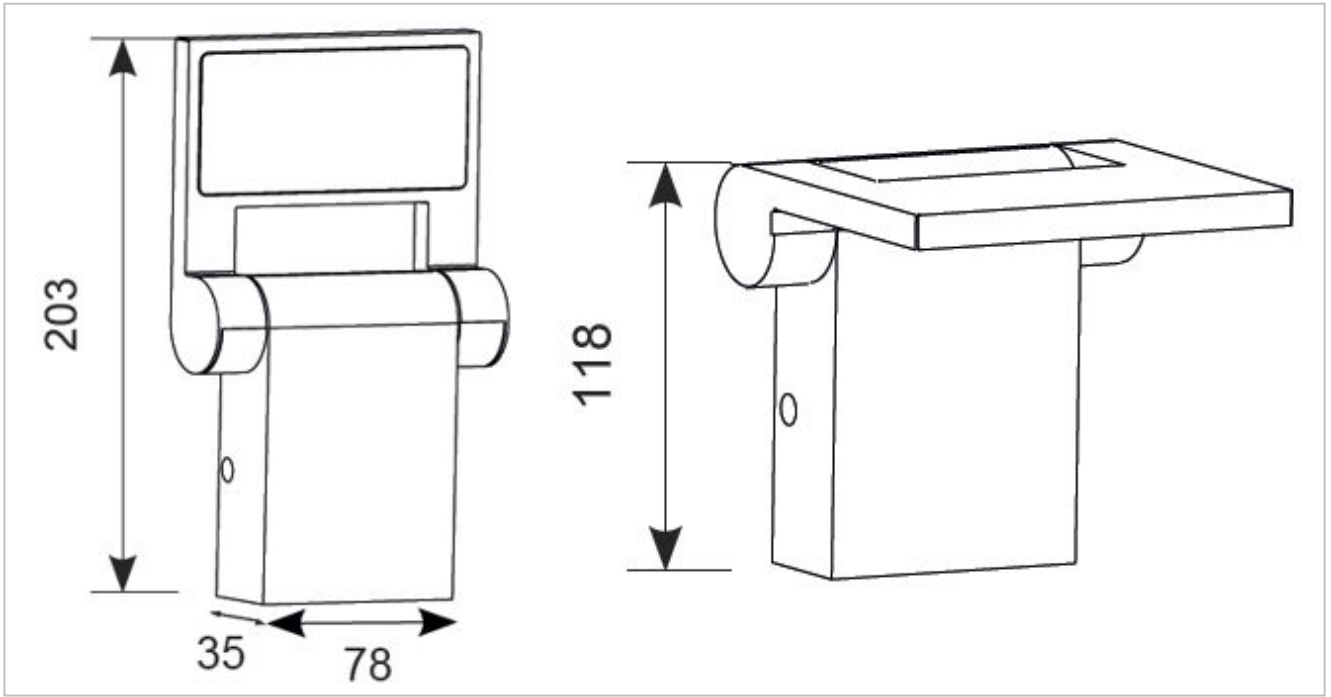
Non-dimmable

General Information

Lamp Type	LED
Colour / Finish	Graphite
IP Rating	IP54
IK Rating	IK07
Class Protection	1
Internal / External	External
Surface / Recessed / Suspended	Surface
Lifetime (Hrs)	L70 36,000
Warranty (Years)	3
CE Mark	Yes
Width (mm)	78
Height (mm)	203
Depth (mm)	35

Technical Information

Wattage	10W
Lumens Delivered	685lm
Lm/W	64lm
Beam Angle	110
CRI	Ra 80
CCT	3000K
Input	230V
Hertz	50/60Hz
Operating Temp	-20°C to 45°C
SDCM	6



Datasheet generated from <https://onetimepim.com> last updated Tuesday, July 5, 2022 2:23:11 PM