



AVANTLG1/WW

Vantage UGR<19 Downlight 9W - Warm White



Features

UGR<19 performance downlight suitable for commercial and education applications

Deep cut-off angle for glare control and comfort

UGR<19 (unified glare rating) compliant luminaire assisting to eliminate glare for visual comfort

Downlight design allows installation into existing hole cut-outs from 68mm to 100mm

Powered by Tridonic

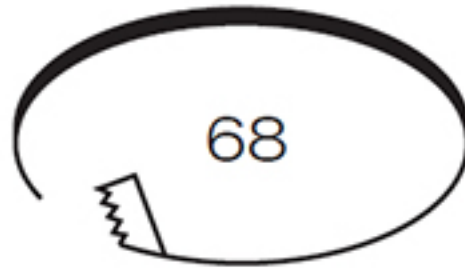
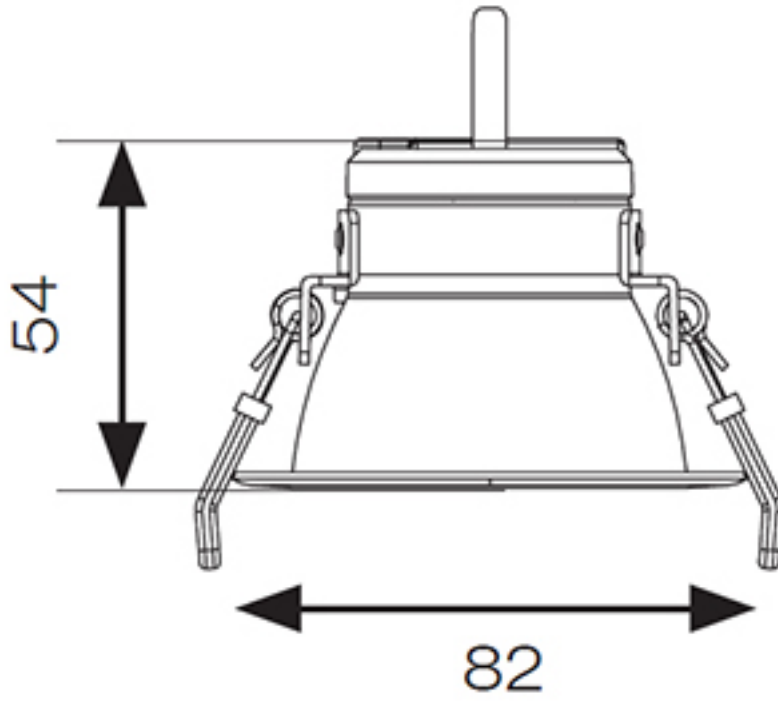
General Information

Lamp Type	LED
IP Rating	IP20
Class Protection	2
Internal / External	Internal
Surface / Recessed / Suspended	Recessed
Lifetime (Hrs)	L70 50,000
Warranty (Years)	5
Diameter (mm)	82
Height (mm)	54

Technical Information

Wattage	9W
Lumens Delivered	750lm
Lm/W	83lm
Beam Angle	40
CRI	Ra 90
CCT	3000K
Input	230V
Hertz	50Hz
Operating Temp	-20°C to 40°C
SDCM	6
UGR	19

Datasheet generated from <https://onetimepim.com> last updated Wednesday, June 15, 2022 8:46:46 AM



AVANTLG1



AVANTLG1/CW

Vantage UGR<19 Downlight 9W - Cool White



Features

UGR<19 performance downlight suitable for commercial and education applications

Deep cut-off angle for glare control and comfort

UGR<19 (unified glare rating) compliant luminaire assisting to eliminate glare for visual comfort

Downlight design allows installation into existing hole cut-outs from 68mm to 100mm

Powered by Tridonic

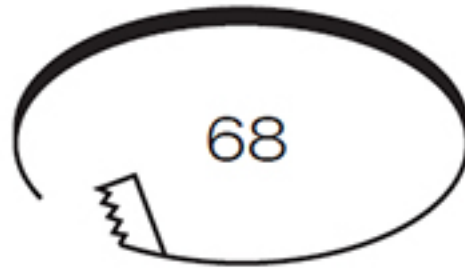
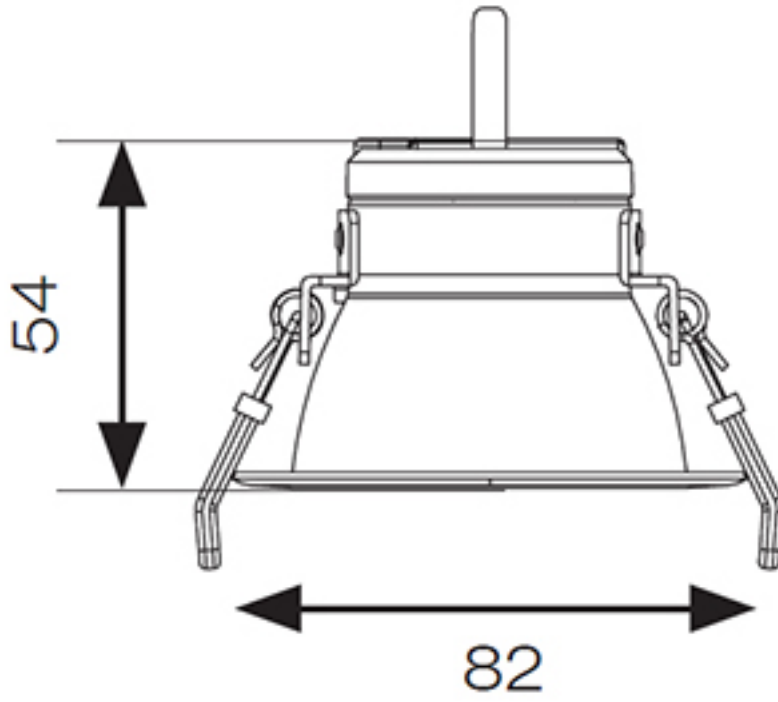
General Information

Lamp Type	LED
IP Rating	IP20
Class Protection	2
Internal / External	Internal
Surface / Recessed / Suspended	Recessed
Lifetime (Hrs)	L70 50,000
Warranty (Years)	5
Diameter (mm)	82
Height (mm)	54

Technical Information

Wattage	9W
Lumens Delivered	800lm
Lm/W	89lm
Beam Angle	40
CRI	Ra 90
CCT	4000K
Input	230V
Hertz	50Hz
Operating Temp	-20°C to 40°C
SDCM	6
UGR	19

Datasheet generated from <https://onetimepim.com> last updated Wednesday, June 15, 2022 8:46:43 AM



AVANTLG1



AVANTLG2/WW

Vantage UGR<19 Downlight 14W - Warm White



Features

UGR<19 performance downlight suitable for commercial and education applications

Deep cut-off angle for glare control and comfort

UGR<19 (unified glare rating) compliant luminaire assisting to eliminate glare for visual comfort

Downlight design allows installation into existing hole cut-outs from 68mm to 100mm

Powered by Tridonic

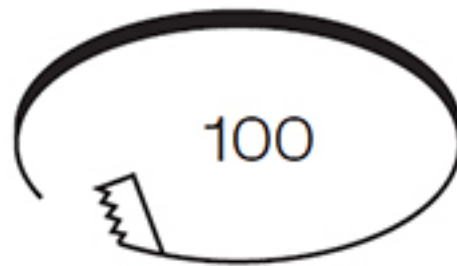
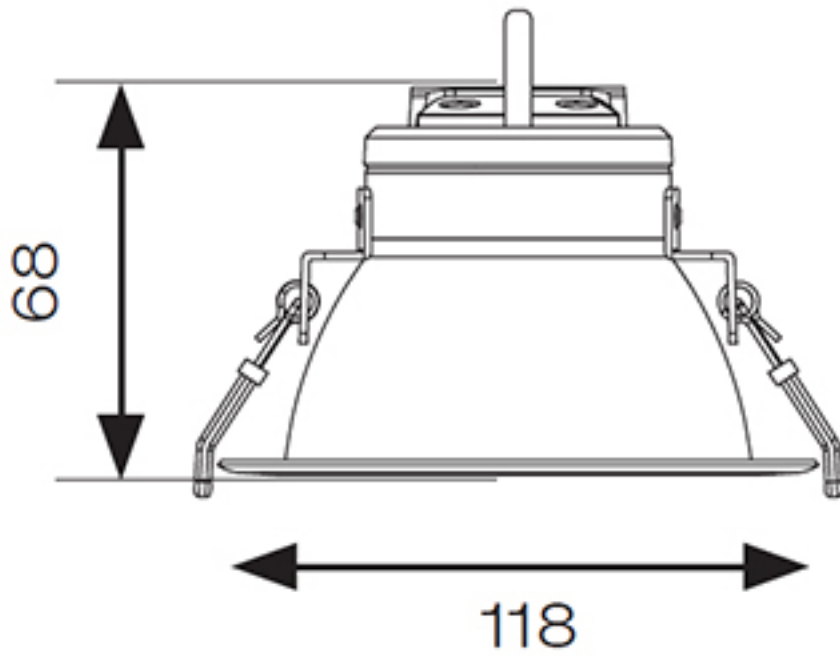
General Information

Lamp Type	LED
IP Rating	IP20
Class Protection	2
Internal / External	Internal
Surface / Recessed / Suspended	Recessed
Lifetime (Hrs)	L70 50,000
Warranty (Years)	5
Diameter (mm)	118
Height (mm)	68

Technical Information

Wattage	14W
Lumens Delivered	1400lm
Lm/W	100lm
Beam Angle	40
CRI	Ra 90
CCT	3000K
Input	230V
Hertz	50Hz
Operating Temp	-20°C to 40°C
SDCM	6
UGR	16

Datasheet generated from <https://onetimepim.com> last updated Wednesday, June 15, 2022 8:46:51 AM



AVANTLG2



AVANTLG2/CW

Vantage UGR<19 Downlight 14W - Cool White



Features

UGR<19 performance downlight suitable for commercial and education applications

Deep cut-off angle for glare control and comfort

UGR<19 (unified glare rating) compliant luminaire assisting to eliminate glare for visual comfort

Downlight design allows installation into existing hole cut-outs from 68mm to 100mm

Powered by Tridonic

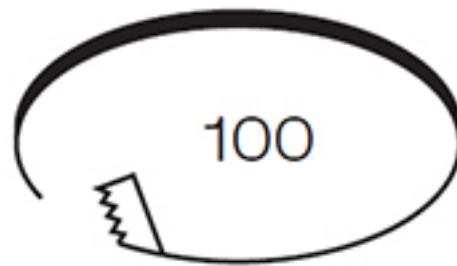
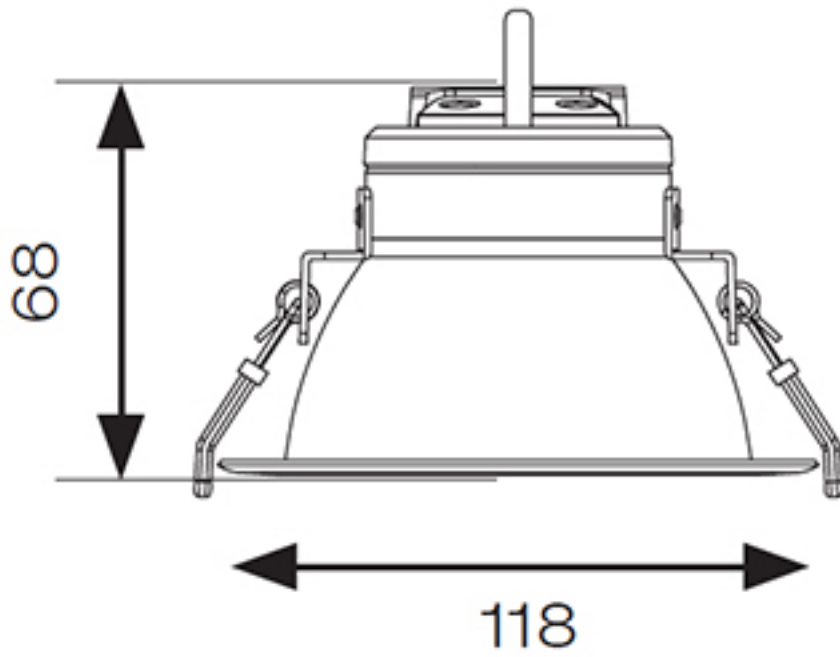
General Information

Lamp Type	LED
IP Rating	IP20
Class Protection	2
Internal / External	Internal
Surface / Recessed / Suspended	Recessed
Lifetime (Hrs)	L70 50,000
Warranty (Years)	5
Diameter (mm)	118
Height (mm)	68

Technical Information

Wattage	14W
Lumens Delivered	1500lm
Lm/W	107lm
Beam Angle	40
CRI	Ra 90
CCT	4000K
Input	230V
Hertz	50Hz
Operating Temp	-20°C to 40°C
SDCM	6
UGR	16

Datasheet generated from <https://onetimepim.com> last updated Wednesday, June 15, 2022 8:46:48 AM



AVANTLG2



AVANTLG3/WW

Vantage UGR<19 Downlight 28W - Warm White



Features

UGR<19 performance downlight suitable for commercial and education applications

Deep cut-off angle for glare control and comfort

UGR<19 (unified glare rating) compliant luminaire assisting to eliminate glare for visual comfort

Downlight design allows installation into existing hole cut-outs from 150mm to 200mm

Powered by Tridonic

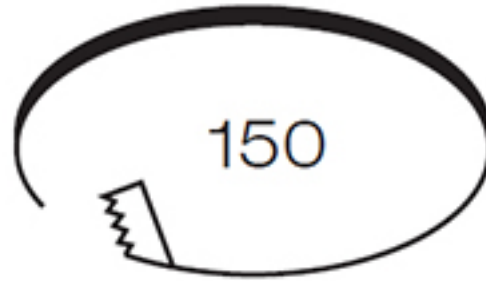
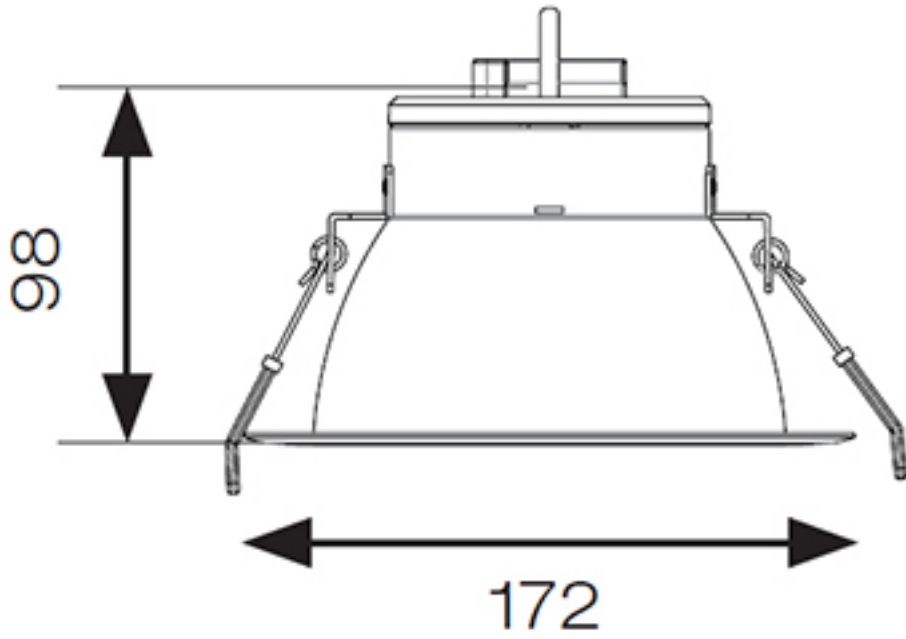
General Information

Lamp Type	LED
IP Rating	IP20
Class Protection	2
Internal / External	Internal
Surface / Recessed / Suspended	Recessed
Lifetime (Hrs)	L70 50,000
Warranty (Years)	5
Diameter (mm)	172
Height (mm)	98

Technical Information

Wattage	28W
Lumens Delivered	2600lm
Lm/W	93lm
Beam Angle	40
CRI	Ra 90
CCT	3000K
Input	230V
Hertz	50Hz
Operating Temp	-20°C to 40°C
SDCM	6
UGR	10

Datasheet generated from <https://onetimepim.com> last updated Wednesday, June 15, 2022 8:46:56 AM



AVANTLG3



AVANTLG3/CW

Vantage UGR<19 Downlight 28W - Cool White



Features

UGR<19 performance downlight suitable for commercial and education applications

Deep cut-off angle for glare control and comfort

UGR<19 (unified glare rating) compliant luminaire assisting to eliminate glare for visual comfort

Downlight design allows installation into existing hole cut-outs from 150mm to 200mm

Powered by Tridonic

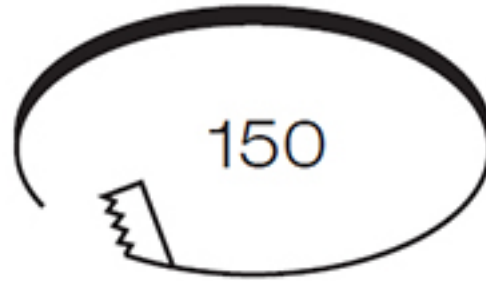
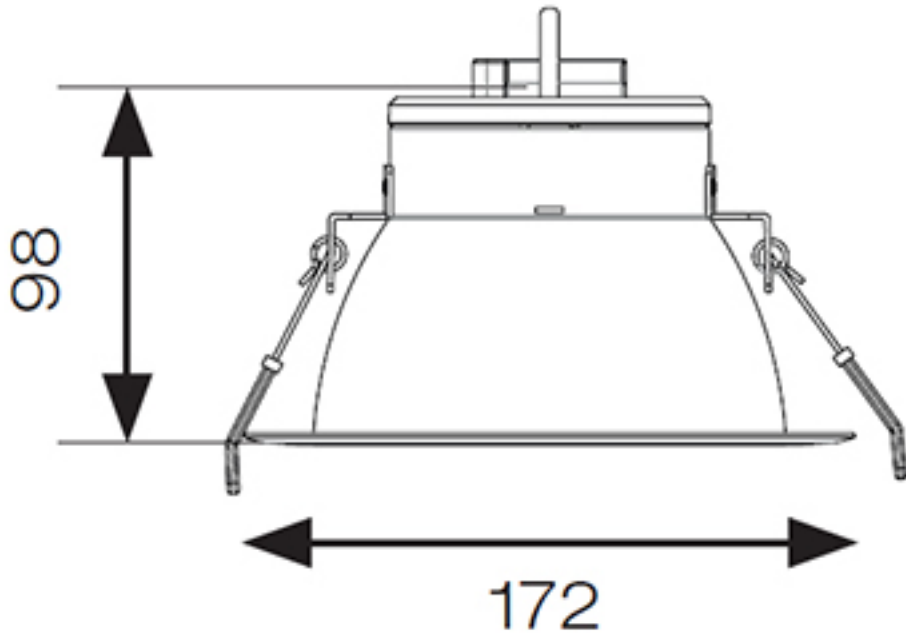
General Information

Lamp Type	LED
IP Rating	IP20
Class Protection	2
Internal / External	Internal
Surface / Recessed / Suspended	Recessed
Lifetime (Hrs)	L70 50,000
Warranty (Years)	5
Diameter (mm)	172
Height (mm)	98

Technical Information

Wattage	28W
Lumens Delivered	2800lm
Lm/W	100lm
Beam Angle	40
CRI	Ra 90
CCT	4000K
Input	230V
Hertz	50Hz
Operating Temp	-20°C to 40°C
SDCM	6
UGR	10

Datasheet generated from <https://onetimepim.com> last updated Wednesday, June 15, 2022 8:46:54 AM



AVANTLG3



AVANTLG4/WW

Vantage UGR<19 Downlight 36W - Warm White



Features

UGR<19 performance downlight suitable for commercial and education applications

Deep cut-off angle for glare control and comfort

UGR<19 (unified glare rating) compliant luminaire assisting to eliminate glare for visual comfort

Downlight design allows installation into existing hole cut-outs from 150mm to 200mm

Powered by Tridonic

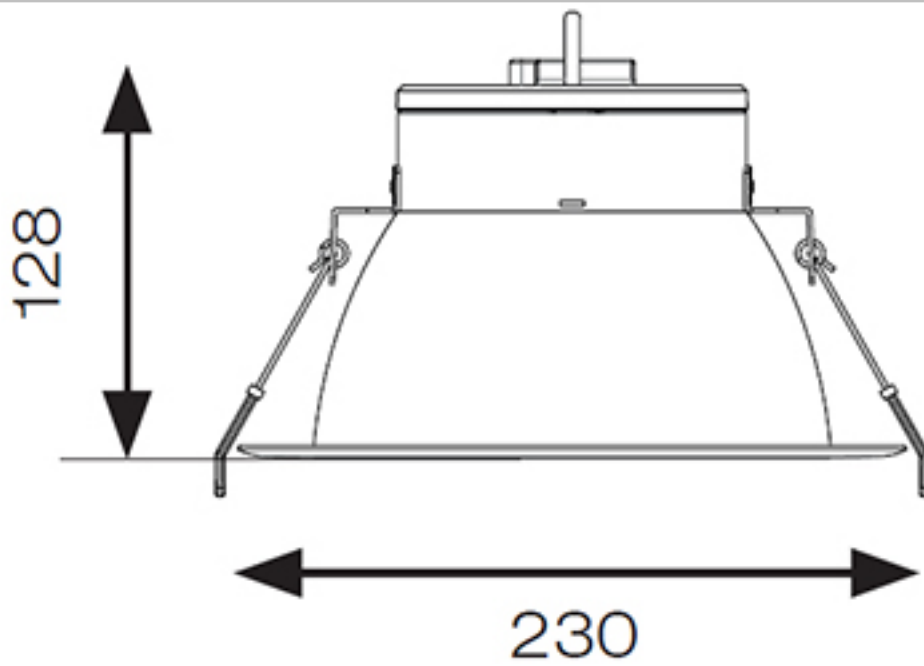
General Information

Lamp Type	LED
IP Rating	IP20
Class Protection	2
Internal / External	Internal
Surface / Recessed / Suspended	Recessed
Lifetime (Hrs)	L70 50,000
Warranty (Years)	5
Diameter (mm)	230
Height (mm)	128

Technical Information

Wattage	36W
Lumens Delivered	3800lm
Lm/W	106lm
Beam Angle	40
CRI	Ra 90
CCT	3000K
Input	230V
Hertz	50Hz
Operating Temp	-20°C to 40°C
SDCM	6
UGR	14

Datasheet generated from <https://onetimepim.com> last updated Wednesday, June 15, 2022 8:47:02 AM



AVANTLG4



AVANTLG4/CW

Vantage UGR<19 Downlight 36W - Cool White



Features

UGR<19 performance downlight suitable for commercial and education applications

Deep cut-off angle for glare control and comfort

UGR<19 (unified glare rating) compliant luminaire assisting to eliminate glare for visual comfort

Downlight design allows installation into existing hole cut-outs from 150mm to 200mm

Powered by Tridonic

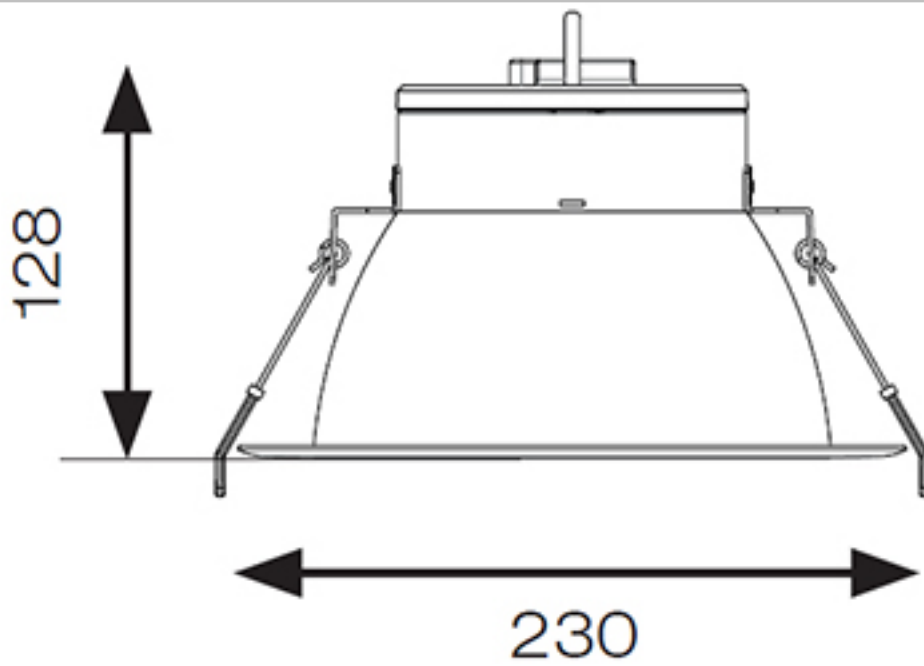
General Information

Lamp Type	LED
IP Rating	IP20
Class Protection	2
Internal / External	Internal
Surface / Recessed / Suspended	Recessed
Lifetime (Hrs)	L70 50,000
Warranty (Years)	5
Diameter (mm)	230
Height (mm)	128

Technical Information

Wattage	36W
Lumens Delivered	3900lm
Lm/W	108lm
Beam Angle	40
CRI	Ra 90
CCT	4000K
Input	230V
Hertz	50Hz
Operating Temp	-20°C to 40°C
SDCM	6
UGR	14

Datasheet generated from <https://onetimepim.com> last updated Wednesday, June 15, 2022 8:46:59 AM



AVANTLG4