



AZLEDECO/1

ZLED Eco Highbay 100W 4000K



Features

Robust LED low/high bay for industrial, commercial and retail applications

Die-cast powder coated construction and heatsink for optimum thermals and performance

Alternative installation options by means of drop rods, jack chain and catenary wire.

IP65 and IK06 ratings

Pre-wired with 1M of H05RN-F cable for ease and speed of installation

LED lifespan L70 50,000 hours

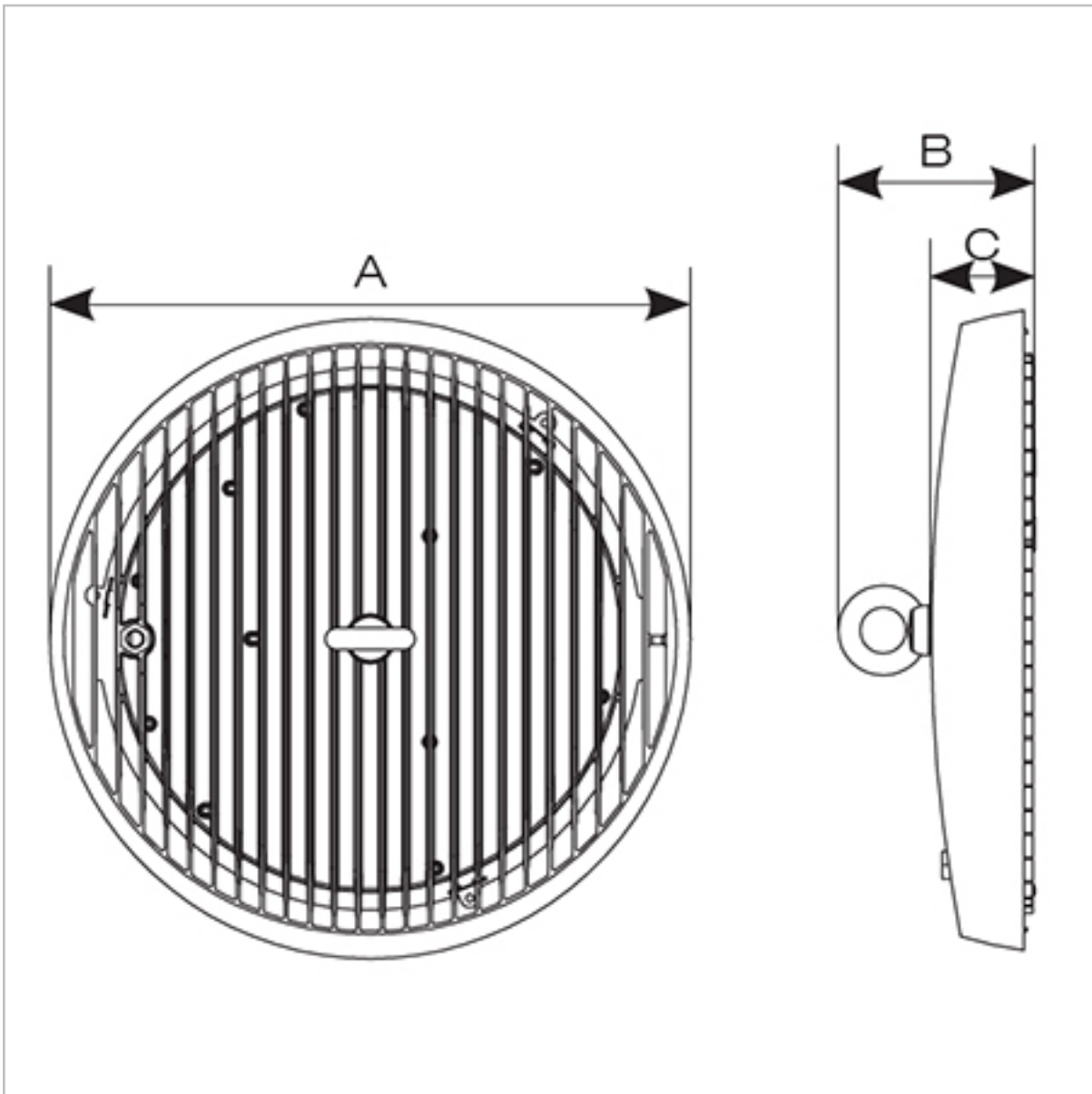
General Information

Lamp Type	LED
IP Rating	IP65
IK Rating	IK06
Class Protection	1
Internal / External	Internal/External
Surface / Recessed / Suspended	Suspended
Lifetime (Hrs)	L70 50,000
Warranty (Years)	3
Diameter (mm)	270
Depth (mm)	100

Technical Information

Wattage	100W
Lumens Delivered	12000lm
Lm/W	120lm
Beam Angle	110
CRI	Ra 80
CCT	4000K
Input	220-240V
Hertz	50Hz
Operating Temp	-20°C to 45°C
SDCM	6

Datasheet generated from <https://onetimepim.com> last updated Wednesday, June 15, 2022 8:52:07 AM





AZLEDECO/2

ZLED Eco Highbay 150W 4000K



Features

Robust LED low/high bay for industrial, commercial and retail applications

Die-cast powder coated construction and heatsink for optimum thermals and performance

Alternative installation options by means of drop rods, jack chain and catenary wire.

IP65 and IK06 ratings

Pre-wired with 1M of H05RN-F cable for ease and speed of installation

LED lifespan L70 50,000 hours

General Information

Lamp Type	LED
IP Rating	IP65
IK Rating	IK06
Class Protection	1
Internal / External	Internal/External
Surface / Recessed / Suspended	Suspended
Lifetime (Hrs)	L70 50,000
Warranty (Years)	3
Diameter (mm)	270
Depth (mm)	100

Technical Information

Wattage	150W
Lumens Delivered	18000lm
Lm/W	120lm
Beam Angle	110
CRI	Ra 80
CCT	4000K
Input	220-240V
Hertz	50Hz
Operating Temp	-20°C to 45°C
SDCM	6

Datasheet generated from <https://onetimepim.com> last updated Wednesday, June 15, 2022 8:52:07 AM

