

# RICOMAN<sup>®</sup>

## Centorio Fire Rated Tunable White LED Downlight INSTALLATION INSTRUCTIONS



**PLEASE READ THESE INSTRUCTIONS CAREFULLY BEFORE INSTALLATION AND LEAVE A COPY WITH THE END USER FOR FUTURE REFERENCE.**

**SAFETY INFORMATION** – We recommend that luminaires be installed by a fully qualified and competent electrician who understands building regulations and the current IEE wiring regulations.

**Before commencing any installation or maintenance work, ensure electricity is switched off at the mains.**



### IMPORTANT USER INFORMATION

Please install and use strictly in accordance with these instructions, improper installation could cause harm to your property or person. It is the installer's responsibility to consider fire & safety risk and take appropriate precautions.

### PRE INSTALLATION INSTRUCTIONS & GUIDELINES

- Ensure the supplied LED driver is used to connect to the AC input.
- Ensure the hole size is cut to the specified size as a hole too big or too small can lead to installation issues.
- Do not disassemble or amend the structure of the luminaire as this can be dangerous and it would void your warranty.
- The luminaire must be installed in a ceiling firm enough to hold the weight of more than five times of the fitting itself.
- The luminaire must not be installed above hot objects such as ovens to avoid damage to the fitting.
- Ensure there is adequate space for ventilation around the fitting.
- The space height between the ceiling and the roof must be higher than 20mm above the height of the fitting.
- Ensure that ALL electrical connections are tight with no loose strands.

### SPECIFICATION & DIMENSIONS

**Product Code:** R098802

**Wattage:** 12W

**Power Supply:** AC180-240V

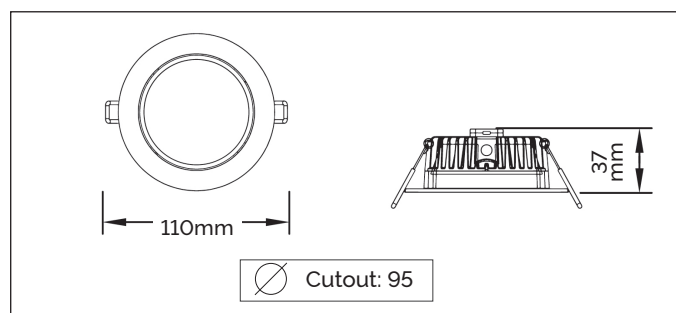
**Power Factor:** >0.90

**CCT:** 3000K | 4000K | 5000K (with on/off switch)  
3000K-5000K (with remote)

**CRI:** >80 Ra

**Driver:** Remote

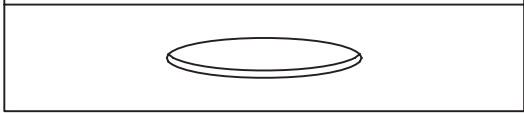
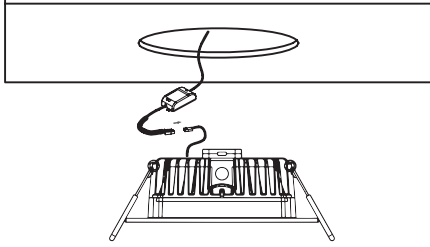
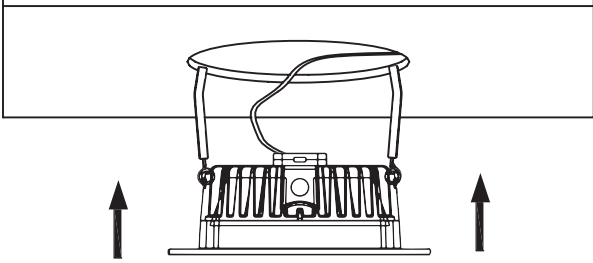
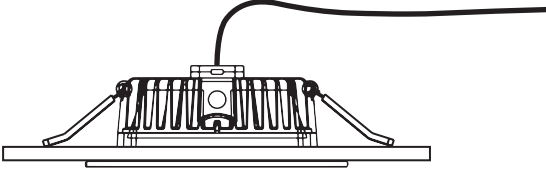
**Body:** Die Cast Aluminium



# Centorio Fire Rated Tunable White LED Downlight

## INSTALLATION STEPS

Before following these steps please ensure you have read and adhered to the guidelines and information overleaf.

<p><b>STEP 1</b></p> <p>Ensure power is turned off. Cut out a 95mm dimension mounting hole in the ceiling.</p> 	<p><b>STEP 2</b></p> <p>Locate the power cable and connect the wires to the luminaire.</p> 
<p><b>STEP 3</b></p> <p>Extend the spring clips to the top of the fitting, and insert the fitting into the ceiling allowing the clips to retract onto the ceiling.</p> 	<p><b>STEP 4</b></p> <p>Return power to the power supply when connection is correct.</p> 

### WALL SWITCH INSTRUCTIONS

Turning the wall switch on/off in quick succession, will change the colour temperature / dimming. The cycle order will be : 3000K, 4000K, night light and then 5000K.

To use dimming and colour temperature change with remote control, please order part code **R09-882**.



#### ENVIRONMENTAL PROTECTION

Waste Electrical & Electronic Equipment Regulations (WEEE) requires that any of our products showing this marking must not be disposed of with other household or commercial waste. To prevent possible harm to the environment or human health from uncontrolled waste disposal, please separate any such product from other waste types and recycle it responsibly at your local facilities. Check with your Local Authority, Recycling Centre or retailer for recycling advice.

#### WARRANTY

This product is in warranty in the UK for a period of 3 year from the date of purchase. The guarantee is invalid in the case of improper use, installation, tampering, removal of the Q.C. date label, installation in an improper working environment or installation not according to the current edition of the IEE Wiring Regulations. Should this product fail during the warranty period, it will be replaced free of charge, subject to the aforementioned conditions and return of the faulty unit. We do not accept responsibility for any installation costs associated with the replacement of this product. Your statutory rights are not affected.