

Fittings / Downlights

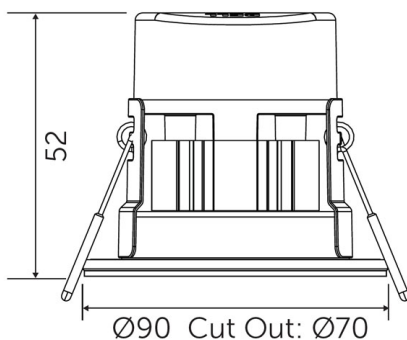
Firestay Geo® LED Sustainable Modular Downlight Housing



Our Firestay Sustainable Geo® Modular Downlight is the next step towards sustainability and circular economy for BELL Lighting, and we are ahead of the curve in the race towards our eco goals. The downlight housing is designed to remain in the ceiling for life, resulting in zero waste to landfill.

- TM66 Certified (Excellent Circularity).
- White, Satin, Chrome, Brass, Antique Brass & Matt Black bezels available.
- Patents GB2514685/GB2303902.
- Packaging manufactured from 100% recycled material.
- Packaging manufactured from 100% recycled material.
- Fully reusable with no toxic materials used.

Technical Specification



Product Code	11391
---------------------	-------

Reference

EAN	5013588113913
Commodity Code	9405423990
Country of Origin	CN
UNSPSC Code	39111515

Technical Specification

Dimmable?	Yes
IP Rating	IP65

Dimensions

Height (mm)	52
Diameter (mm)	90
Downlight Cut Out (mm)	70

Packaging Information

Single Carton Height (mm)	92
Single Carton Width (mm)	92
Single Carton Depth (mm)	93
Single Carton Weight (kg)	0.22
Individual Volume	0.00079
Inner Box Qty	10
Inner Box Height (mm)	475
Inner Box Width (mm)	194
Inner Box Depth (mm)	103
Inner Box Weight (kg)	2.3
Outer Box Qty	20
Outer Box Height (mm)	495
Outer Box Width (mm)	214
Outer Box Depth (mm)	231
Outer Box Weight (kg)	4.8