

JC17025

Spike Light

8.4W inground spike light 95° beam angle 3000K IP65 c/w 900mm cable

Features & Benefits

- Durable die-cast aluminium construction
- IP65 protection against water ingress
- Matching colour temperature and finish to the Architectural exterior range
- Pre-wired with 900mm flex



CRI:RA



CLASS I



WARRANTY



RATING



BEAM

General Information

Mounting

In-Ground

Environment

Outdoor

Product Group

LED - Inground

Product Range

Architectural Exterior

Trade Name

Architectural

Color Finish

Anthracite

Product Shape

Round

Product Weight(kg)

0.61

Overall Dimensions

Ø90 x 365mm

Light Source

LED

Light Source Features

Warm White

Recommended Product Location

Residential/Commercial

Method Of Fix

Inground

IP Rating

IP65

Origin of manufacturer

China

Warranty

2 years standard warranty extends to 3 years when registered within the first year of purchase (See Website for terms and conditions)

Driver Manufacturer	HEP
LED Manufacturer/Type	CREE LED 1304
Lighting Product Type 1	In-Ground

Electrical

Voltage Rating	220-240
Primary Running Current(Amp)	0.13
Operating Frequency Hz	50/60Hz
Secondary running current(mA)	700
Constant Current or Constant Voltage	CC
Luminaire Circuit Wattage	8.4
Class	I
Output Voltage Max/Range (VDC)	6-13
Total Harmonic Distortion (THD)%	20
Power Factor Correction	0.9
Input Electrical Connections	Live, Earth, Neutral
Dimmable	No

Performance Data

LED Life (Hours)	36000
------------------	-------

Hours life stated is an indication of expected L70 chip and light output calculations when operating in optimum conditions. Product warranty period supports the full product during the term given. The L70 hours expectancy is not correlated with the full product warranty term, nor is it a representation of lumen depreciation during the warranty period.

Energy Rating	This product contains a light source of energy efficiency class
	E
Actual Lumen Output	825
Lumens Per Circuit Watt	98
Color Rendering Index	80-89
CRI: Ra	84
Correlated Color Temperature	3000K
Beam Angle °	95
LOR (Light Output Ratio) %	100
Photometry Available	Yes

Construction

Primary Material	Aluminium
Driver Housing	Polycarbonate

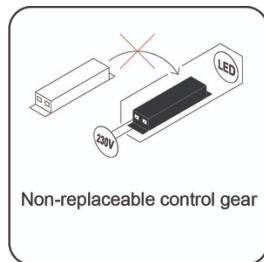
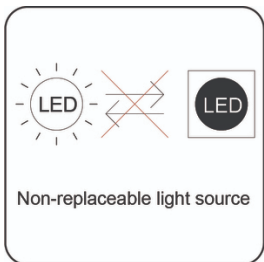
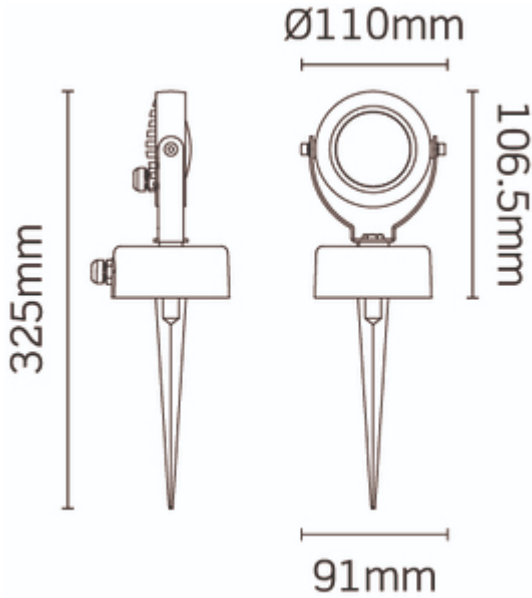
Packaging

Product Packaged Weight(kg)	0.75
Quantity Per Outer Carton	12
Product Bar Code EAN-13 Number	5052544079320

Standards & Approvals

Manufactured In Accordance To
CE Marked
UKCA Marked
Date code/Purchase order No.
WEEE Symbol
Certificate Of Conformity
Accredited Members

BS EN 60598-2015
Yes
Yes
Yes
Yes
Available on request
LIA, ISO9001-2015, ISO14001-2015



JCC Lighting LTD Innovation Centre, Beeding Close, Southern Cross Trading Estate, Bognor Regis, West Sussex PO22 9TS
Sales: 01243 838999 (8am to 5pm Monday to Friday) Fax: 01243 838998 | sales@jcc.co.uk | www.jcc.co.uk
Company Registration Number: 03044848 | VAT Number: 918544112

This document is uncontrolled if printed, all information is subject to change

Version 94 [16/09/2022]