

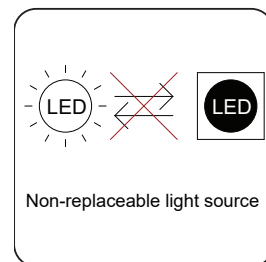
Directional Solar Spotlight

Installation instructions

JCC | a **LEVITON** company

Warnings & Cautions

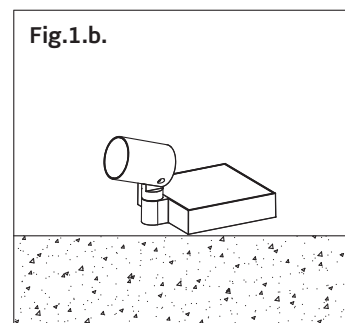
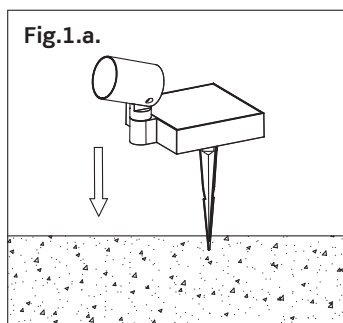
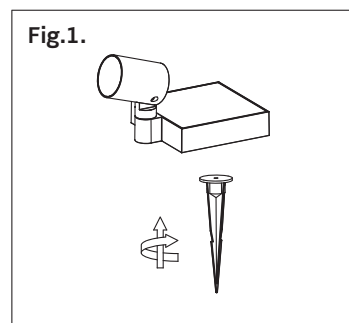
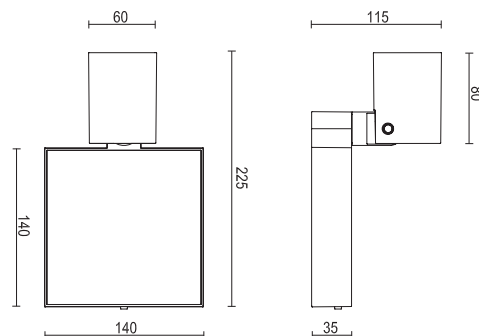
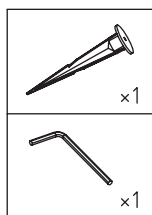
- Do not install in areas that are exposed to continual running water or prone to flooding.
- Ensure that the mounting surface is both flat and stable.
- Any broken or damaged parts should be replaced as soon as possible.
- JCC will not accept responsibility for claims arising from sub-standard installations
- These products are suitable for outdoor use only
- This product is battery powered and they are charged via the solar panel
- The batteries in this product are rechargeable and must only be replaced by a competent person.



INSTALLATION

Specifications Colour temp: 3000K Ra: 81 (Class III Solar light)

Product code	Wattage	Lumens	Solar Charging Time	Maximum run time
JC17068	2W	200	6-8 hrs	7 hrs



Installation of mounting Spike:

Screw fit the mounting spike to the base of the Solar light as illustrated in Fig.1.

1. Select a suitable flat and stable location to insert the spike into the earth (fig.1.a.). Apply even firm pressure to the top corners with your hands. Do not use a hammer or weighted object to force the spike into the ground. This will damage the product and the solar panel. Adjust the direction of the spotlight by loosening the head with the allen keys, then re-tighten (Fig.1.b.)

2. Once installed, turn on by pressing the Touch Button for 3 seconds, the blue light will come on, then the light will illuminate when ambient light is under 20lux. Allow the batteries to charge for 6-8hrs in full sunlight. If battery power is under 2.5V the Solar Light will turn off, if there is sufficient sunlight it will charge, when the battery reaches 3.3V the blue light will come on and it will resume normal operation.

General Maintenance Requirements

JCC Lighting Products recommends that this product is cleaned with warm water and dried with a chamois leather or absorbent dry cloth. Weathering, environmental pollution and bird droppings should be cleaned off with a non-abrasive cleaner. This is to ensure that the solar panel is fully effective in charging the batteries, and to preserve the finish of this product.

You can help protect the environment. Please remember to respect the local regulations: hand in the non-working electrical equipment to an appropriate waste disposal centre. The packaging material is recyclable. Dispose of the packaging in an environmentally friendly manner and make it available for the recyclable material collection service.

jcc.co.uk

Important warranty information

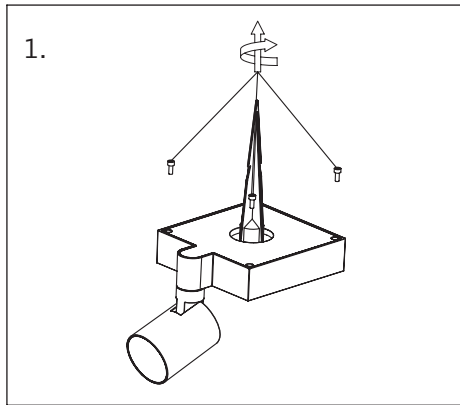
This product is supported by a 2-year standard warranty which will extend to 3 years if registered within the first year of purchase. (2 year on batteries). Please register at jcc.co.uk/warranty - Terms and conditions apply.

The installer will be asked to provide the following information, which is detailed on a label attached to the luminaire's chassis: Product Code/Date Code.

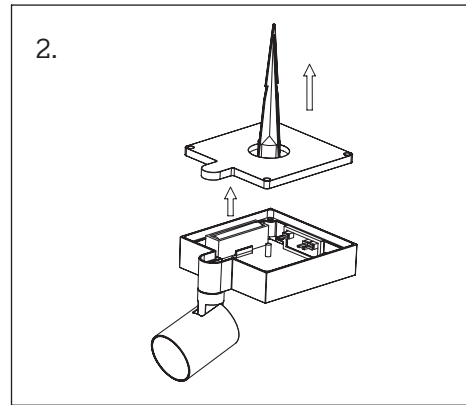
Directional Solar Spotlight

Replacement of Batteries:

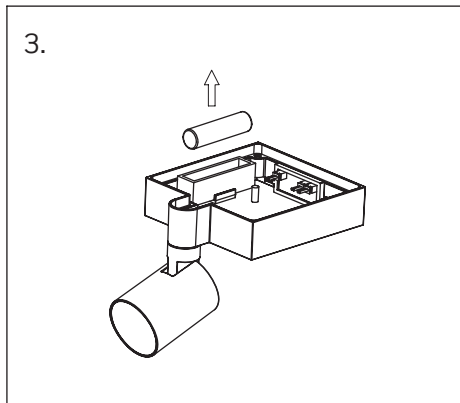
1 x SPR017001- 1 x 3.7V 18650 2200mAh Lithium battery



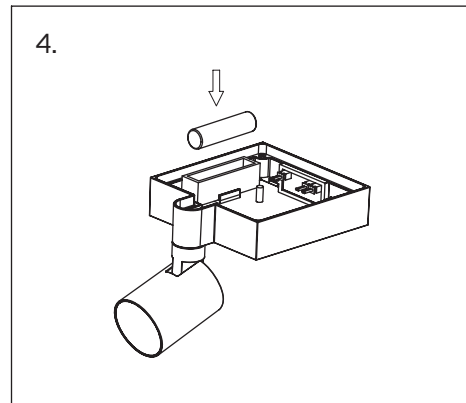
1. Remove the 4 screws and the spike as indicated above



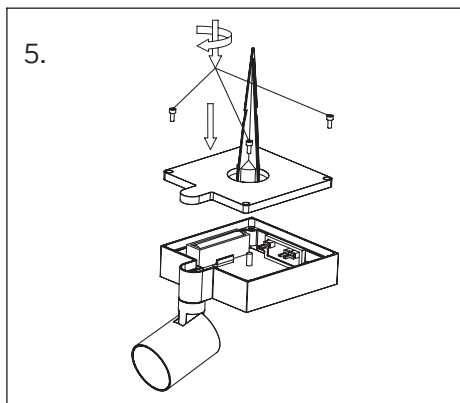
2. Remove the back plate and spike from the body



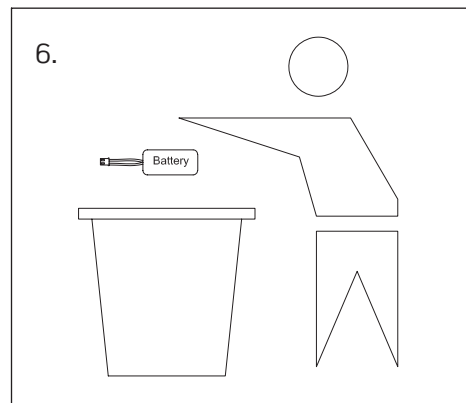
3. Disconnect and remove the old battery



4. Connect replacement battery and fit into battery holder



5. Refit the back plate onto the body and refit the 4 screws, then re-attach the spike



6. Please hand in the non-working battery to an appropriate waste disposal centre, do not dispose of with household waste

Prior to use after replacing the battery, ensure that the product is fully charged.

Please refer to point 2 in the installation instructions.