

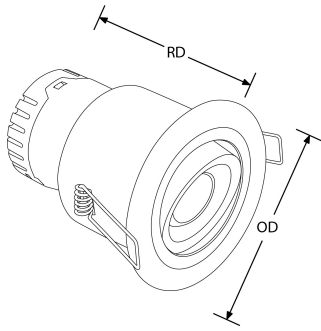


Product Description: E8™ Adjustable 8W Dimmable Fire Rated Downlight

The E5™ and established E8™ fixed and adjustable fire rated downlights set new levels in performance. Featuring the sparkling low glare multifaceted EnFiniti™ lens and delivering up to 390lm from the 4.5W version and 640lm from the 8W. The E5™ and E8™ are packed with features and benefits which allow for a quick and cost effective installation while still providing users with optimum performance and energy saving LED technology.

SKU Code	Wattage	Colour	Lumens	Lumens/Watt	Beam Angle	Finish Colour	SKU Type
EN-DE82MW/30	8	3000	610	77	60	Matt White	Triac Dimmable
EN-DE82MW/40	8	4000	640	80	60	Matt White	Triac Dimmable
EN-DE82PC/30	8	3000	610	77	60	Polished Chrome	Triac Dimmable
EN-DE82PC/40	8	4000	640	80	60	Polished Chrome	Triac Dimmable
EN-DE82SN/30	8	3000	610	77	60	Satin Nickel	Triac Dimmable
EN-DE82SN/40	8	4000	640	80	60	Satin Nickel	Triac Dimmable
EN-DE82W/30	8	3000	610	77	60	White	Triac Dimmable
EN-DE82W/40	8	4000	640	80	60	White	Triac Dimmable

Line Drawing

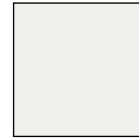


Polar Curve

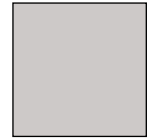
Colour



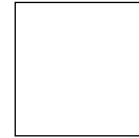
Matt White



Polished
Chrome



Satin Nickel



White

Product Features:

- EnFiniti™ edge-to-edge multifaceted polycarbonate lens for low glare and halogen like appearance
- Wide 60° beam angle delivers increased light distribution
- Fibre based insulation coverable - up to 300mm
- Integrated driver with new push fit loop in/out terminals suitable for use with solid or stranded cable for easy installation
- Super slim interchangeable IP65 bezels for fixed version provide a high end sleek finish. IP20 bezel included with adjustable version
- Tested in 30, 60 and 90-minute fire rated ceilings
- 3 year warranty

Product Specs:

Input Voltage	220~240V AC	Input Frequency	/50HZ
Power Factor	0.85	IP Rating	IP20
Lifetime L70 (hrs)	25000	Overall Diameter (mm)	98
Weight (Kg)	0.365	Projection (mm)	5
Height (mm)	95	Product Type	Downlights, Fire-Rated Downlight
Cutout Diameter (mm)	85-85	Operating Temp. (Min) °C	-20°C
Operating Temp. (Max) °C	25°C		

Compliance & Approvals:



Warranty:

This product has a warranty period of 3 Years. Warranties may be available on certain products as indicated in the product description. Warranties are valid from the date of purchase. The warranty is invalid in the case of improper use, installation, tampering, removal of the Q.C. date label or installation in an improper working environment or installation. Should this product fail during the warranty period it will be replaced free of charge, subject to the correct installation of the original product and subsequent return of the faulty unit. Aurora does not accept responsibility for any installation costs associated with the replacement of this product and Aurora reserves the right to alter specifications without prior notice.