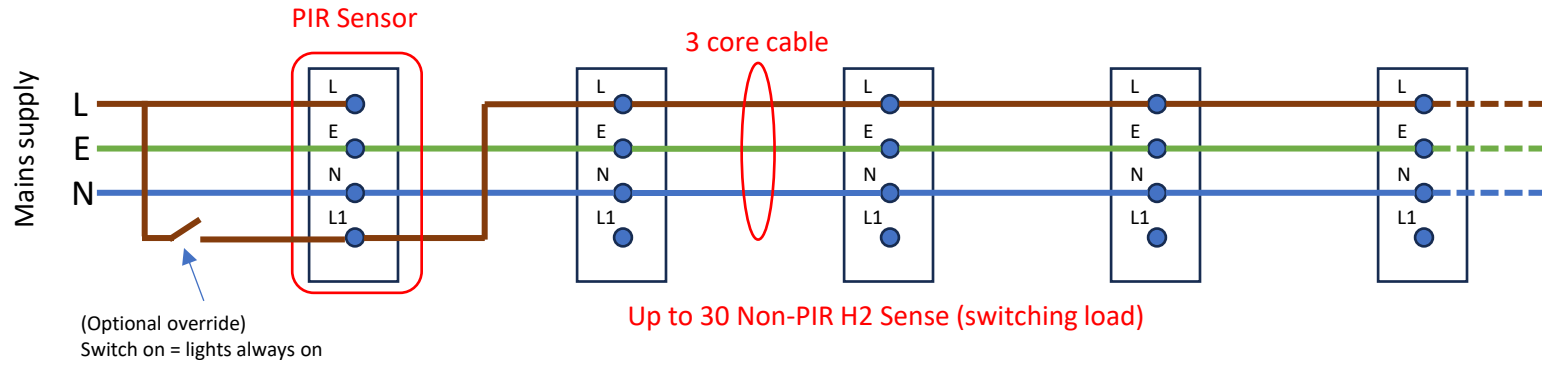


Single sensor



Two or more sensors in the circuit

