



a **LEVITON**  
company

JC23402WOP

RadiaLED Utility Mains IP65 Ø283mm Bulkhead 21W 4000K  
1350lm LED Opal



## General Information

<b>Product Group</b>	LED - Surface
<b>Product Range</b>	RadiaLED Utility
<b>Range Name</b>	RadiaLED 21W Utility
<b>Product Weight</b>	1.1kg
<b>Finishes Available</b>	White Base c/w Opal Diffuser
<b>Overall Dimensions</b>	283 x 85mm
<b>Recommended Product Location</b>	Suitable for indoor or outdoor use, wall and ceiling mount
<b>Method Of Fix</b>	Back fix using screws provided
<b>Ingress Protection (IP)</b>	IP65

### JCC Lighting

Innovation Centre, Beeding Close, Southern Cross  
Trading Estate, Bognor Regis, West Sussex, PO22 9TS  
Company Registration Number: 03044848 | VAT Number: 918544112  
T: 01243 838999 | F: 01243 838998 | [sales@jcc.co.uk](mailto:sales@jcc.co.uk) | [www.jcc.co.uk](http://www.jcc.co.uk)

---

<b>Suitable For Zones</b>	Zones 1 and 2
<b>Origin Of Manufacture</b>	PRC
<b>Guarantee</b>	2 year guarantee, 3 year extended warranty(requires on line registration)
<b>Driver Manufacturer</b>	KG-POWER
<b>LED Manufacturer/Type</b>	2835/HONGLI

---

## Electrical

---

<b>Input Voltage (V)</b>	220-240V~
<b>Primary Running Current</b>	600mA
<b>Operating Frequency (Hz)</b>	50/60Hz
<b>CC or CV</b>	Constant Current
<b>Luminaire Circuit Wattage</b>	21W
<b>Class</b>	Class I, must be earthed
<b>Output Voltage (V)</b>	<45V
<b>EMC Compliant (EN55015)</b>	yes
<b>Power Factor Correction</b>	0.9
<b>Input Electrical Connections</b>	live, earth, neutral screw terminal (2 x conduit entry points)
<b>Dimmable</b>	no

---

## Thermals

---

<b>Max Luminaire Ambient Temp.</b>	26°C
<b>Max Driver/Ballast Ambient Temp.</b>	50°C
<b>Thermal Cut Out</b>	105°C

---

## Performance Data

---

<b>Energy Rating</b>	A
----------------------	---

---

### JCC Lighting

Innovation Centre, Beeding Close, Southern Cross  
Trading Estate, Bognor Regis, West Sussex, PO22 9TS  
Company Registration Number: 03044848 | VAT Number: 918544112  
T: 01243 838999 | F: 01243 838998 | [sales@jcc.co.uk](mailto:sales@jcc.co.uk) | [www.jcc.co.uk](http://www.jcc.co.uk)

<b>Lumen Output</b>	1350
<b>Lumens Per Circuit Watt</b>	64
<b>LED Life (Hours)</b>	30,000
<b>CRI: Ra</b>	80
<b>Colour Temperature (K)</b>	4000K
<b>LOR (Light Output Ratio) %</b>	100%
<b>Photometry Available</b>	yes

## Construction

<b>Main Chassis</b>	polycarbonate
<b>Diffuser</b>	polycarbonate
<b>Heat Sink</b>	extruded aluminium
<b>Driver Housing</b>	polycarbonate

## Packaging

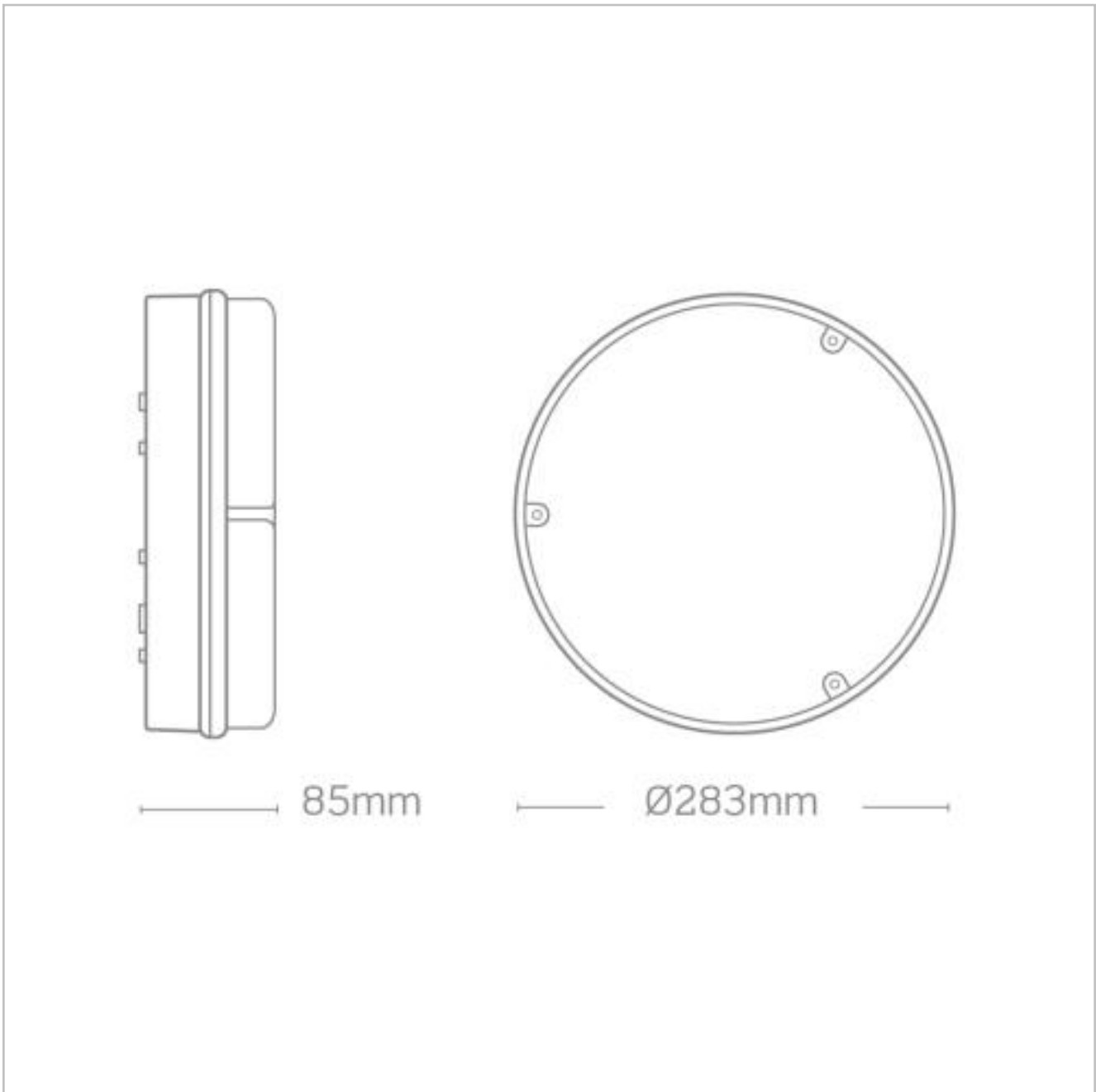
<b>Luminaire Carton Dimensions</b>	290 x 290 x 90mm
<b>Quantity Per Outer Carton</b>	6
<b>Bar Code EAN Number</b>	5052544053030
<b>Packaged Weight</b>	1.3kg

## Standards & Approvals

<b>Manufactured In Accordance To</b>	BS EN 60598-2-1
<b>CE Marked</b>	yes
<b>Batch Coded</b>	yes
<b>WEEE Symbol</b>	yes
<b>Certificate Of Conformity</b>	available on request

### JCC Lighting

Innovation Centre, Beeding Close, Southern Cross  
Trading Estate, Bognor Regis, West Sussex, PO22 9TS  
Company Registration Number: 03044848 | VAT Number: 918544112  
T: 01243 838998 | F: 01243 838998 | [sales@jcc.co.uk](mailto:sales@jcc.co.uk) | [www.jcc.co.uk](http://www.jcc.co.uk)



Datasheet generated from <https://www.electrika.cloud> on 22 March 2018 08:33:07

**JCC Lighting**

Innovation Centre, Beeding Close, Southern Cross  
Trading Estate, Bognor Regis, West Sussex, PO22 9TS  
Company Registration Number: 03044848 | VAT Number: 918544112  
T: 01243 838999 | F: 01243 838998 | [sales@jcc.co.uk](mailto:sales@jcc.co.uk) | [www.jcc.co.uk](http://www.jcc.co.uk)