

JC50302

## Wall/Ceiling Exit Blade Maintained 3M IP20 without legend



### General Information

<b>Product Group</b>	Surface 3M Luminaire
<b>Product Range</b>	Emergency Range
<b>Product Weight</b>	0.8Kg
<b>Finishes Available</b>	White only
<b>Recommended Product Location</b>	Emergency Route/Exit Luminaire, Internal Use Only, Low Risk Areas
<b>Method Of Fix</b>	Screw Fix to Suitable Surface
<b>Ingress Protection (IP)</b>	IP20
<b>Suitable For Zones</b>	Outside zone 2
<b>Luminaire Accessories</b>	1 x right & 1 x left running man legend (JC50304)

### Electrical

#### JCC Lighting

Innovation Centre, Beeding Close, Southern Cross  
Trading Estate, Bognor Regis, West Sussex, PO22 9TS  
Company Registration Number: 03044848 | VAT Number: 918544112  
T: 01243 838999 | F: 01243 838998 | [sales@jcc.co.uk](mailto:sales@jcc.co.uk) | [www.jcc.co.uk](http://www.jcc.co.uk)

<b>Input Voltage (V)</b>	220-240V~
<b>Primary Running Current</b>	33.3mA
<b>Operating Frequency (Hz)</b>	50/60Hz
<b>Luminaire Circuit Wattage</b>	5.7W(AC) 8.6W(DC)
<b>Class</b>	Class I, requires earth
<b>Output Voltage (V)</b>	4.8V
<b>Total Harmonic Distortion (THD)%</b>	1.99%
<b>Power Factor Correction</b>	0.778
<b>Input Electrical Connections</b>	As per instruction sheet
<b>Dimmable</b>	No

## Emergency Data

<b>Load Voltage</b>	5.5 SELV
<b>Nominal Battery Current</b>	600mAH
<b>Recharge Time</b>	24 Hours
<b>Battery Specification</b>	4 cell AA Type Ni-Cd 4.8V 1800mAh
<b>Battery Life In Emergency Mode</b>	3 hours
<b>Charge Current</b>	400-600mA
<b>DDP Protection</b>	Yes
<b>LOR In Emergency Mode</b>	100%
<b>Inverter PFC</b>	0.778

## Thermals

<b>Max Luminaire Ambient Temp.</b>	0° - 26°C
<b>Max Driver/Ballast Ambient Temp.</b>	40°C

### JCC Lighting

Innovation Centre, Beeding Close, Southern Cross  
Trading Estate, Bognor Regis, West Sussex, PO22 9TS  
Company Registration Number: 03044848 | VAT Number: 918544112  
T: 01243 838999 | F: 01243 838998 | [sales@jcc.co.uk](mailto:sales@jcc.co.uk) | [www.jcc.co.uk](http://www.jcc.co.uk)

## Performance Data

<b>Energy Rating</b>	B
<b>Lumen Output</b>	95lm(AC) 48lm(DC)
<b>Lumens Per Circuit Watt</b>	17(AC) 6(DC) lm/W
<b>Lamp Life (Hours)</b>	30,000
<b>CRI: Ra</b>	48
<b>Colour Temperature (K)</b>	7000K
<b>LOR (Light Output Ratio) %</b>	100%
<b>Photometry Available</b>	TBC

## Construction

<b>Main Chassis</b>	Polycarbonate
<b>Diffuser</b>	Polycarbonate
<b>Rim Or Attachment</b>	Polycarbonate

## Packaging

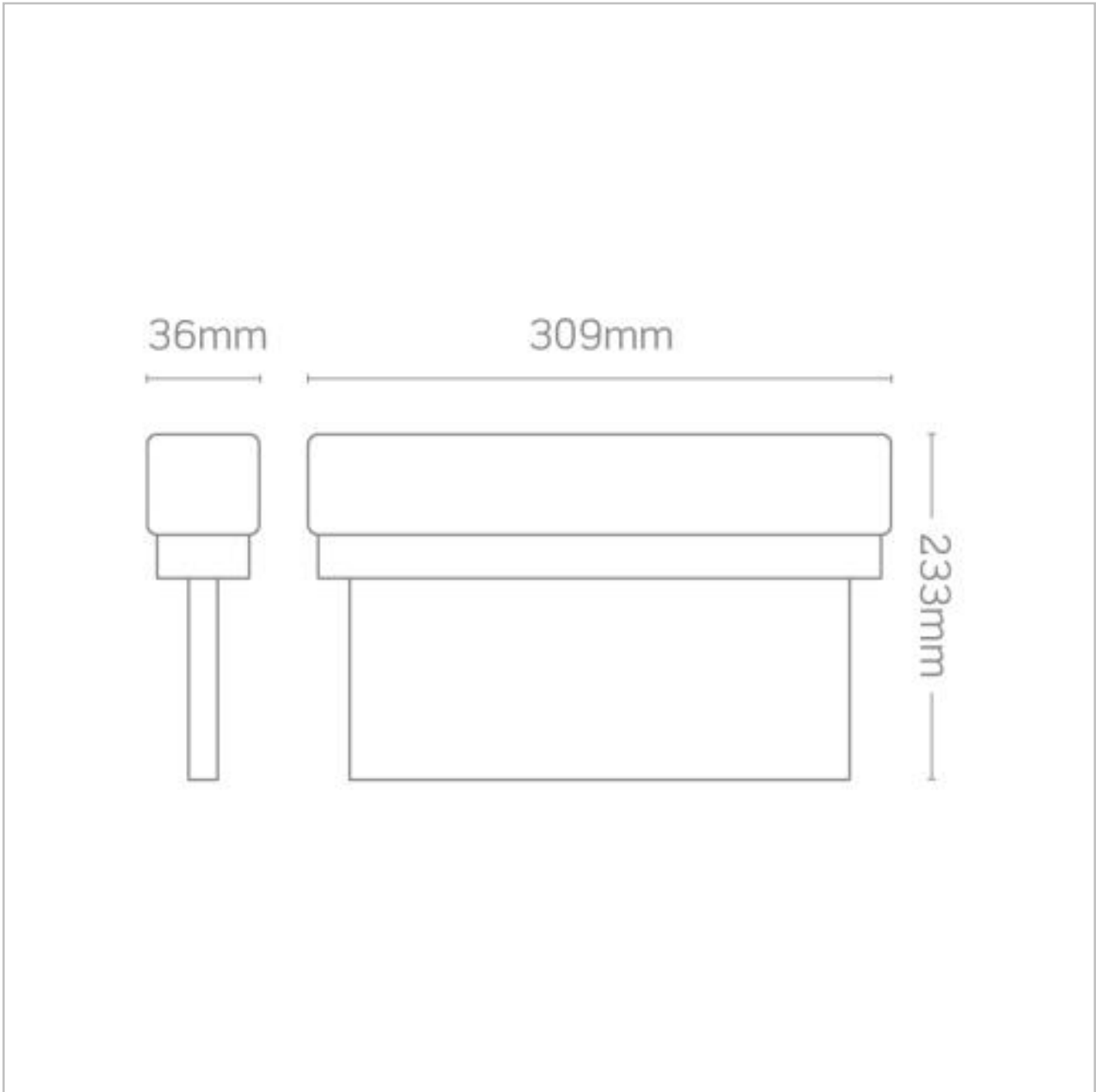
<b>Luminaire Carton Dimensions</b>	335mm (L) x 450mm (W) x 245mm (D)
<b>Quantity Per Outer Carton</b>	10
<b>Bar Code EAN Number</b>	5052544047046
<b>Packaged Weight</b>	0.9Kg

## Standards & Approvals

<b>Manufactured In Accordance To</b>	BS EN 60598-2-22
<b>CE Marked</b>	Yes
<b>Batch Coded</b>	Yes
<b>Certificate Of Conformity</b>	Yes, available on request

### JCC Lighting

Innovation Centre, Beeding Close, Southern Cross  
Trading Estate, Bognor Regis, West Sussex, PO22 9TS  
Company Registration Number: 03044848 | VAT Number: 918544112  
T: 01243 838999 | F: 01243 838998 | [sales@jcc.co.uk](mailto:sales@jcc.co.uk) | [www.jcc.co.uk](http://www.jcc.co.uk)



Datasheet generated from <http://www.electrika.cloud> on 12 February 2018 08:11:42

**JCC Lighting**

Innovation Centre, Beeding Close, Southern Cross

Trading Estate, Bognor Regis, West Sussex, PO22 9TS

Company Registration Number: 03044848 | VAT Number: 918544112

T: 01243 838999 | F: 01243 838998 | [sales@jcc.co.uk](mailto:sales@jcc.co.uk) | [www.jcc.co.uk](http://www.jcc.co.uk)