

### General Information

Dimensions (mm)	110 (Dia.) x 48 (D)
Materials	Bezel: Powdercoated Aluminium; Diffuser & Housing: Polycarbonate
Finish	White (RAL 9003)
Product Weight (Kg)	0.13
Cutout Diameter (mm)	90
Recess Depth (mm)	43
Ingress Protection	IP20
Maximum Ceiling Thickness (mm)	35
Warranty (Years)	3

### Luminaire Output

Colour Temperature (K)	3000	4000	6000
Typical Luminous Flux (lm)	720	855	765
Efficacy (lm/W)	80	95	85
Beam Angle (°)	100		
Colour Rendering Index (CRI)	>80		
LED Lifetime (L70) (Hours)	30000		

### Dimming Information

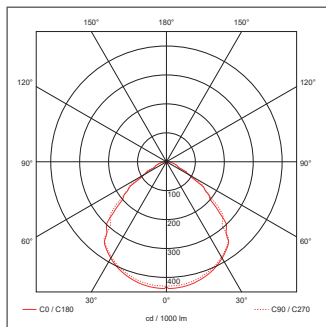
Dimmable | No

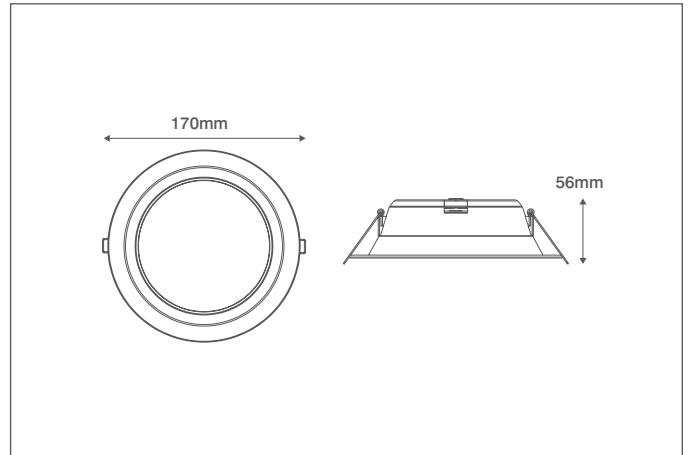
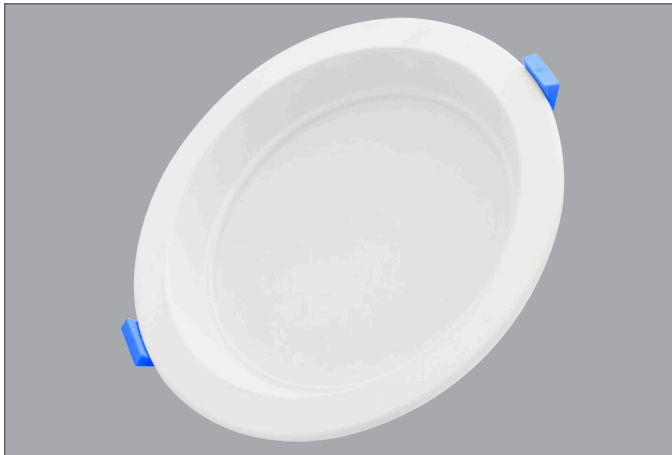
### Compatible Accessories

OVCGMF0003 - 240V~ 12.7-33.7W 3 in 1 Multi-function Dimmable Constant Current LED Driver  
 OVEMCG50 - 3 Hour Emergency Pack  
 OVEMCG50ST - 3 Hour Self-Test Emergency Pack

### Supply & Power Information

Input Voltage & Frequency (V~ / Hz)	200-240 50/60
Safety Class	II
Circuit Wattage (W)	9
LED Wattage (W)	9
Input Current (mA)	100
Inrush Current	<60A (300uS@230V~)
Power Factor	>0.5
Driver Information	Remote Driver Supplied
Operating Temperature (°C)	-20 to +50
Maximum Critical Temperature (°C)	+85
Prewired Flow™ Connector	3 Pole CT105-F Push-fit Terminals





### General Information

Dimensions (mm)	170 (Dia.) x 56 (D)
Materials	Bezel: Powdercoated Aluminium; Diffuser & Housing: Polycarbonate
Finish	White (RAL 9003)
Product Weight (Kg)	0.23
Cutout Diameter (mm)	150
Recess Depth (mm)	51
Ingress Protection	IP20
Maximum Ceiling Thickness (mm)	35
Warranty (Years)	3

### Luminaire Output

Colour Temperature (K)	3000	4000	6000
Typical Luminous Flux (lm)	1200	1500	1425
Efficacy (lm/W)	80	100	95
Beam Angle (°)	100		
Colour Rendering Index (CRI)	>80		
LED Lifetime (L70) (Hours)	30000		

### Dimming Information

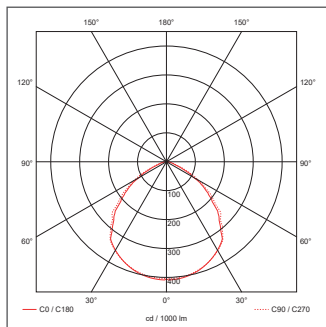
Dimmable	No
----------	----

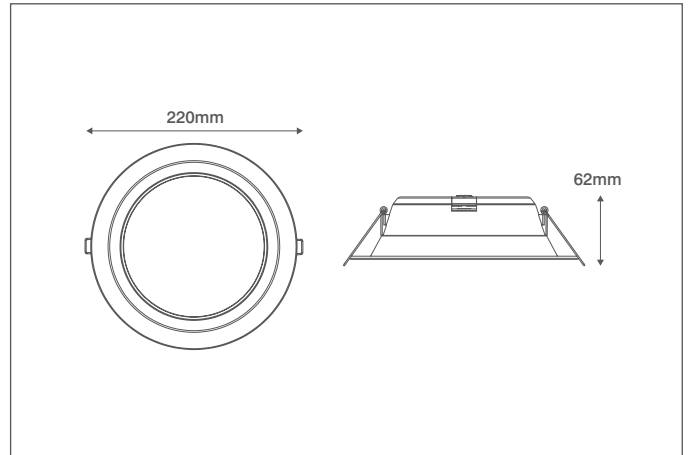
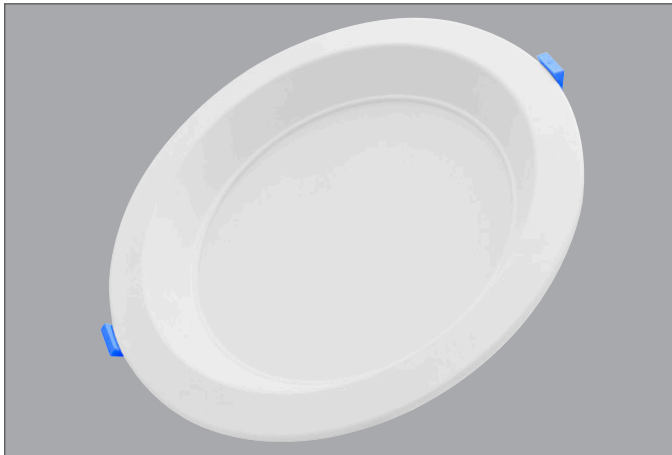
### Compatible Accessories

- OVCGMF0003 - 240V~ 12.7-33.7W 3 in 1 Multi-function Dimmable Constant Current LED Driver
- OVEMCG50 - 3 Hour Emergency Pack
- OVEMCG50ST - 3 Hour Self-Test Emergency Pack

### Supply & Power Information

Input Voltage & Frequency (V~ / Hz)	200-240 50/60
Safety Class	II
Circuit Wattage (W)	15
LED Wattage (W)	15
Input Current (mA)	150
Inrush Current	<60A (300uS@230V~)
Power Factor	>0.7
Driver Information	Remote Driver Supplied
Operating Temperature (°C)	-20 to +50
Maximum Critical Temperature (°C)	+85
Prewired Flow™ Connector	3 Pole CT105-F Push-fit Terminals





### General Information

Dimensions (mm)	220 (Dia.) x 62 (D)
Materials	Bezel: Powdercoated Aluminium; Diffuser & Housing: Polycarbonate
Finish	White (RAL 9003)
Product Weight (Kg)	0.32
Cutout Diameter (mm)	190
Recess Depth (mm)	57
Ingress Protection	IP20
Maximum Ceiling Thickness (mm)	40
Warranty (Years)	3

### Luminaire Output

Colour Temperature (K)	3000	4000	6000
Typical Luminous Flux (lm)	2000	2500	2375
Efficacy (lm/W)	80	100	95
Beam Angle (°)	100		
Colour Rendering Index (CRI)	>80		
LED Lifetime (L70) (Hours)	30000		

### Dimming Information

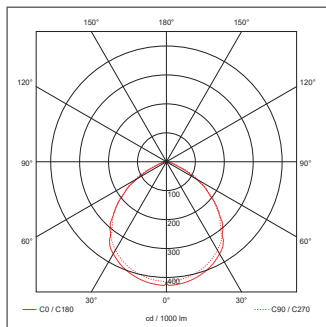
Dimmable	No
----------	----

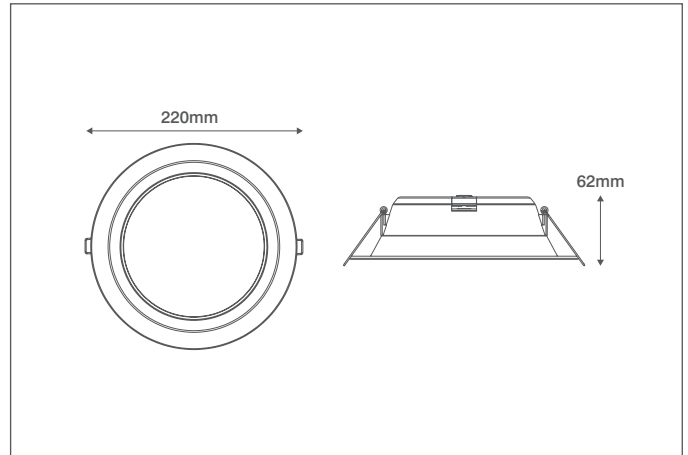
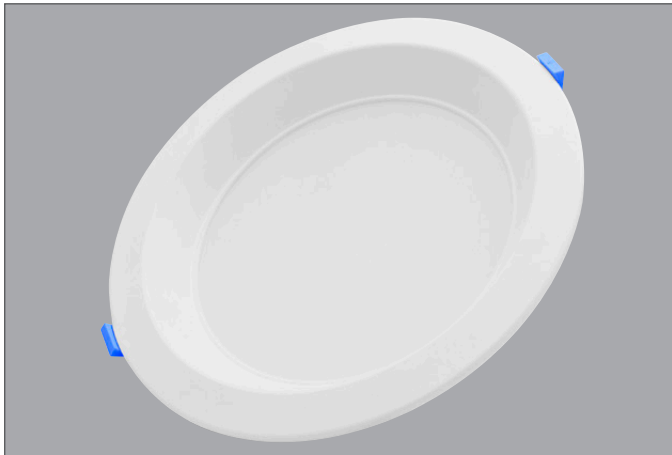
### Compatible Accessories

- OVCGMF0003 - 240V~ 12.7-33.7W 3 in 1 Multi-function Dimmable Constant Current LED Driver
- OVEMCG50 - 3 Hour Emergency Pack
- OVEMCG50ST - 3 Hour Self-Test Emergency Pack

### Supply & Power Information

Input Voltage & Frequency (V~ / Hz)	200-240 50/60
Safety Class	II
Circuit Wattage (W)	25
LED Wattage (W)	25
Input Current (mA)	250
Inrush Current	<60A (300uS@230V~)
Power Factor	>0.7
Driver Information	Remote Driver Supplied
Operating Temperature (°C)	-20 to +50
Maximum Critical Temperature (°C)	+85
Prewired Flow™ Connector	3 Pole CT105-F Push-fit Terminals





### General Information

Dimensions (mm)	220 (Dia.) x 62 (D)
Materials	Bezel: Powdercoated Aluminium; Diffuser & Housing: Polycarbonate
Finish	White (RAL 9003)
Product Weight (Kg)	0.38
Cutout Diameter (mm)	190
Recess Depth (mm)	57
Ingress Protection	IP20
Maximum Ceiling Thickness (mm)	40
Warranty (Years)	3

### Luminaire Output

Colour Temperature (K)	3000	4000	6000
Typical Luminous Flux (lm)	2400	3000	2850
Efficacy (lm/W)	80	100	95
Beam Angle (°)	100		
Colour Rendering Index (CRI)	>80		
LED Lifetime (L70) (Hours)	30000		

### Dimming Information

Dimmable | No

### Compatible Accessories

OVCGMF0001 - 240V~ 29-48W 3 in 1 Multi-function Dimmable Constant Current LED Driver

OVEMCG50 - 3 Hour Emergency Pack

OVEMCG50ST - 3 Hour Self-Test Emergency Pack

### Supply & Power Information

Input Voltage & Frequency (V~ / Hz)	200-240 50/60
Safety Class	II
Circuit Wattage (W)	30
LED Wattage (W)	30
Input Current (mA)	300
Inrush Current	<60A (300uS@230V~)
Power Factor	>0.9
Driver Information	Remote Driver Supplied
Operating Temperature (°C)	-20 to +50
Maximum Critical Temperature (°C)	+85
Prewired Flow™ Connector	3 Pole CT105-F Push-fit Terminals

