

### General Information

Dimensions (mm)	1200 (L) x 96 (W) x 83 (D)
Materials	Base: Polycarbonate; Frosted Diffuser: Polycarbonate
Base Finish	Light Grey
Product Weight (Kg)	1.56
Ingress Protection	IP65
Impact Rating (IK)	08
Mounting	Ceiling, Wall or Suspended
Fixing Components Supplied	Surface and Suspension Brackets
Warranty (Years)	5

### Supply & Power Information

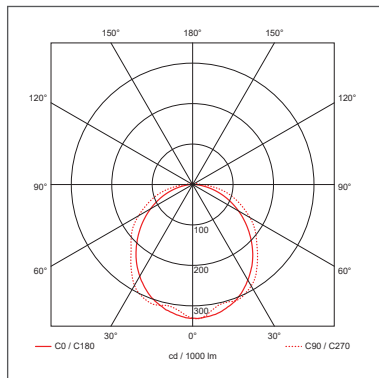
Input Voltage & Frequency (V~ / Hz)	220-240 50
Safety Class	I
Circuit Wattage (W)	21
LED Wattage (W)	21
Input Current (mA)	105
Inrush Current/Time	6A (268ms)
Power Factor	>0.9
Operating Temperature (°C)	-20 to +40
Critical Temperature (°C)	+90
Input Terminations	4 Pole Push Fit Terminals
Cable Input Accessories	20mm IP68 Nylon Gland Supplied

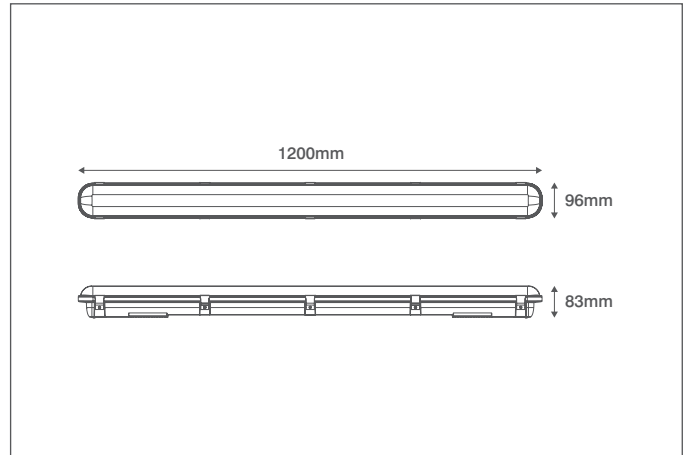
### Luminaire Output

Colour Temperature (K)	4000
Colour Render Index (CRI)	>80
Typical Luminous Flux (lm)	2520
Efficacy (lm/W)	120
Beam Angle (°)	105
LED Lifetime (L70) (Hours)	50000

### Dimming Information

Dimmable	No
----------	----





### General Information

Dimensions (mm)	1200 (L) x 96 (W) x 83 (D)
Materials	Base: Polycarbonate; Frosted Diffuser: Polycarbonate
Base Finish	Light Grey
Product Weight (Kg)	1.64
Ingress Protection	IP65
Impact Rating (IK)	08
Mounting	Ceiling, Wall or Suspended
Fixing Components Supplied	Surface and Suspension Brackets
Warranty (Years)	5

### Supply & Power Information

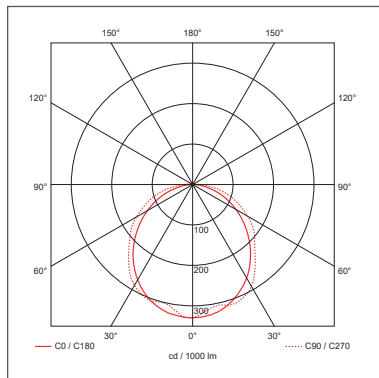
Input Voltage & Frequency (V~ / Hz)	220-240 50
Safety Class	I
Circuit Wattage (W)	39
LED Wattage (W)	39
Input Current (mA)	195
Inrush Current/Time	7A (378ms)
Power Factor	>0.9
Operating Temperature (°C)	-20 to +40
Critical Temperature (°C)	+90
Input Terminations	4 Pole Push Fit Terminals
Cable Input Accessories	20mm IP68 Nylon Gland Supplied

### Luminaire Output

Colour Temperature (K)	4000
Colour Render Index (CRI)	>80
Typical Luminous Flux (lm)	4680
Efficacy (lm/W)	120
Beam Angle (°)	105
LED Lifetime (L70) (Hours)	50000

### Dimming Information

Dimmable	No
----------	----

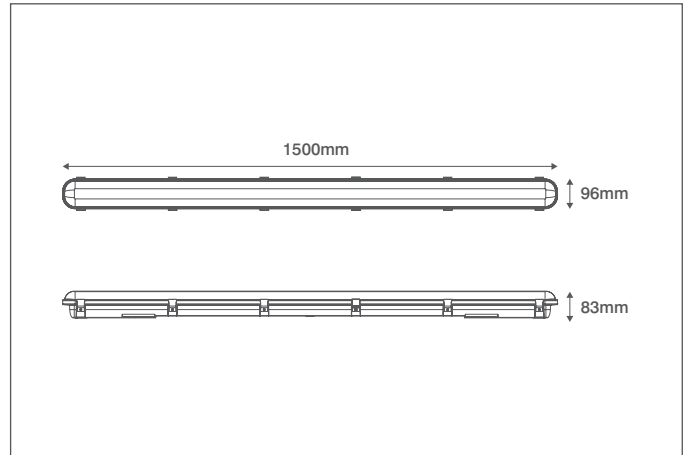


# U-LITE

## Technical Specification

Product Code: OV80151

Description: 30W 1500mm Linear LED Utility Luminaire CW IP65



### General Information

Dimensions (mm)	1500 (L) x 96 (W) x 83 (D)
Materials	Base: Polycarbonate; Frosted Diffuser: Polycarbonate
Base Finish	Light Grey
Product Weight (Kg)	1.96
Ingress Protection	IP65
Impact Rating (IK)	08
Mounting	Ceiling, Wall or Suspended
Fixing Components Supplied	Surface and Suspension Brackets
Warranty (Years)	5

### Supply & Power Information

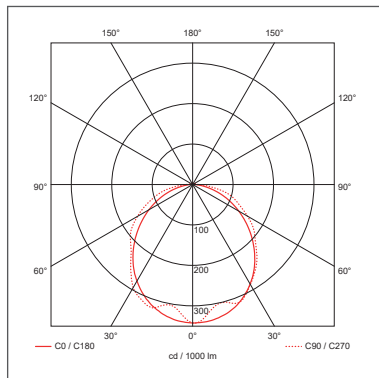
Input Voltage & Frequency (V~ / Hz)	220-240 50
Safety Class	I
Circuit Wattage (W)	30
LED Wattage (W)	30
Input Current (mA)	150
Inrush Current/Time	7A (400ms)
Power Factor	>0.9
Operating Temperature (°C)	-20 to +40
Critical Temperature (°C)	+90
Input Terminations	4 Pole Push Fit Terminals
Cable Input Accessories	20mm IP68 Nylon Gland Supplied

### Luminaire Output

Colour Temperature (K)	4000
Colour Render Index (CRI)	>80
Typical Luminous Flux (lm)	3600
Efficacy (lm/W)	120
Beam Angle (°)	105
LED Lifetime (L70) (Hours)	50000

### Dimming Information

Dimmable	No
----------	----

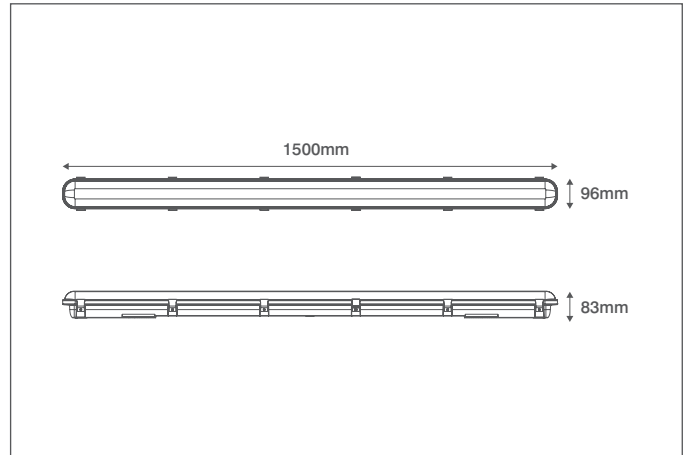


OVIA Limited, Scolmore House, Mariner, Lichfield Road Industrial Estate, Tamworth, Staffordshire, B79 7UL United Kingdom

T: +44 (0)1827 300640

E: sales@oviaUK.com | W: oviaUK.com





### General Information

Dimensions (mm)	1500 (L) x 96 (W) x 83 (D)
Materials	Base: Polycarbonate; Frosted Diffuser: Polycarbonate
Base Finish	Light Grey
Product Weight (Kg)	2
Ingress Protection	IP65
Impact Rating (IK)	08
Mounting	Ceiling, Wall or Suspended
Fixing Components Supplied	Surface and Suspension Brackets
Warranty (Years)	5

### Supply & Power Information

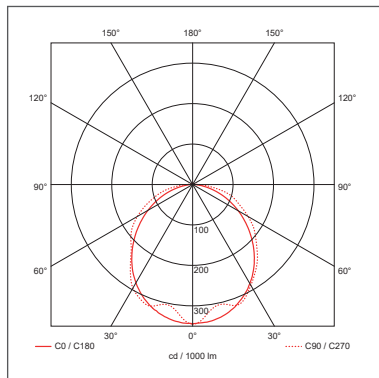
Input Voltage & Frequency (V~ / Hz)	220-240 50
Safety Class	I
Circuit Wattage (W)	55
LED Wattage (W)	55
Input Current (mA)	275
Inrush Current/Time	8A (432ms)
Power Factor	>0.9
Operating Temperature (°C)	-20 to +40
Critical Temperature (°C)	+90
Input Terminations	4 Pole Push Fit Terminals
Cable Input Accessories	20mm IP68 Nylon Gland Supplied

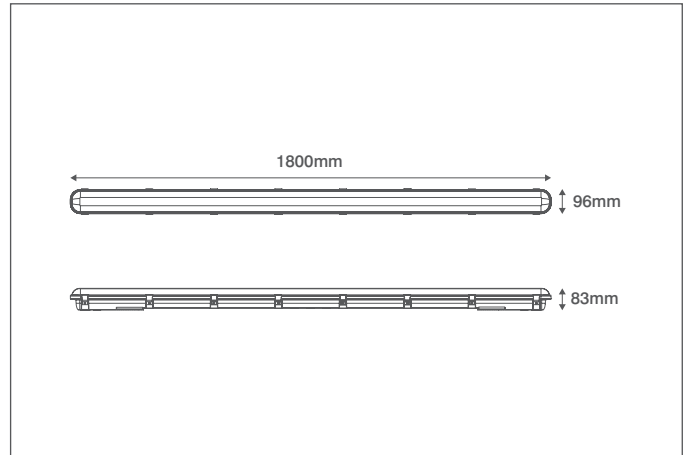
### Luminaire Output

Colour Temperature (K)	4000
Colour Render Index (CRI)	>80
Typical Luminous Flux (lm)	6600
Efficacy (lm/W)	120
Beam Angle (°)	105
LED Lifetime (L70) (Hours)	50000

### Dimming Information

Dimmable	No
----------	----





### General Information

Dimensions (mm)	1800 (L) x 96 (W) x 83 (D)
Materials	Base: Polycarbonate; Frosted Diffuser: Polycarbonate
Base Finish	Light Grey
Product Weight (Kg)	2.33
Ingress Protection	IP65
Impact Rating (IK)	08
Mounting	Ceiling, Wall or Suspended
Fixing Components Supplied	Surface and Suspension Brackets
Warranty (Years)	5

### Supply & Power Information

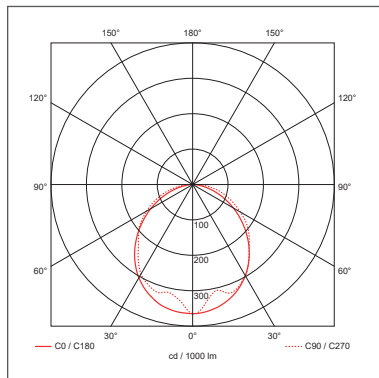
Input Voltage & Frequency (V~ / Hz)	220-240 50
Safety Class	I
Circuit Wattage (W)	34
LED Wattage (W)	34
Input Current (mA)	170
Inrush Current/Time	7A (408ms)
Power Factor	>0.9
Operating Temperature (°C)	-20 to +40
Critical Temperature (°C)	+90
Input Terminations	4 Pole Push Fit Terminals
Cable Input Accessories	20mm IP68 Nylon Gland Supplied

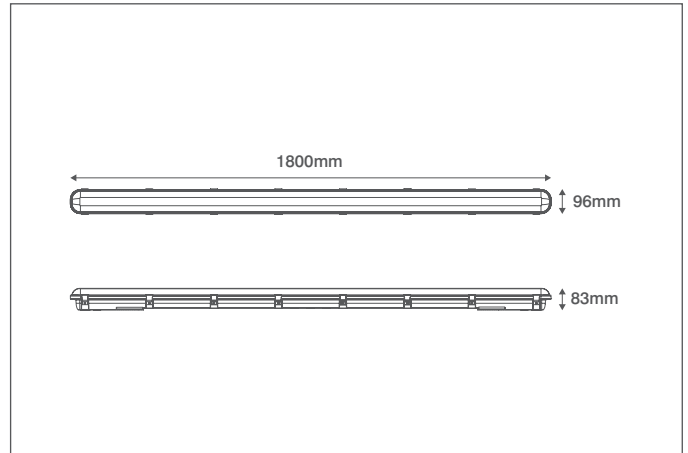
### Luminaire Output

Colour Temperature (K)	4000
Colour Render Index (CRI)	>80
Typical Luminous Flux (lm)	4080
Efficacy (lm/W)	120
Beam Angle (°)	105
LED Lifetime (L70) (Hours)	50000

### Dimming Information

Dimmable	No
----------	----





### General Information

Dimensions (mm)	1800 (L) x 96 (W) x 83 (D)
Materials	Base: Polycarbonate; Frosted Diffuser: Polycarbonate
Base Finish	Light Grey
Product Weight (Kg)	2.38
Ingress Protection	IP65
Impact Rating (IK)	08
Mounting	Ceiling, Wall or Suspended
Fixing Components Supplied	Surface and Suspension Brackets
Warranty (Years)	5

### Supply & Power Information

Input Voltage & Frequency (V~ / Hz)	220-240 50
Safety Class	I
Circuit Wattage (W)	70
LED Wattage (W)	70
Input Current (mA)	350
Inrush Current/Time	8A (420ms)
Power Factor	>0.9
Operating Temperature (°C)	-20 to +40
Critical Temperature (°C)	+90
Input Terminations	4 Pole Push Fit Terminals
Cable Input Accessories	20mm IP68 Nylon Gland Supplied

### Luminaire Output

Colour Temperature (K)	4000
Colour Render Index (CRI)	>80
Typical Luminous Flux (lm)	8400
Efficacy (lm/W)	120
Beam Angle (°)	105
LED Lifetime (L70) (Hours)	50000

### Dimming Information

Dimmable	No
----------	----

