

# EVO SLIM

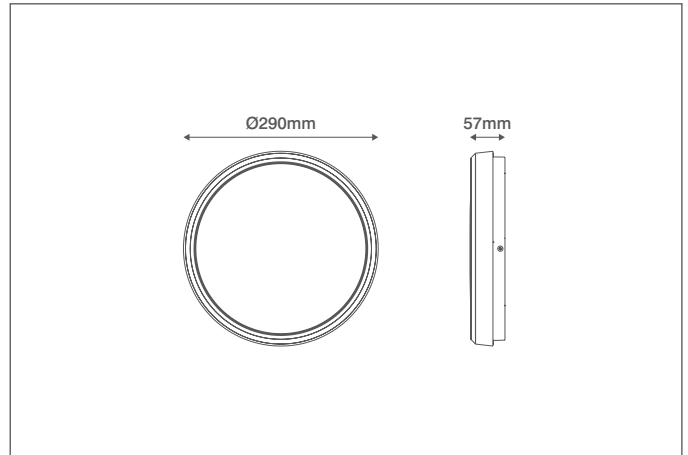
## Technical Specification

Product Code: OV9110016MW

Luckinslive 422356963



Description: 16W LED Bulkhead Microwave Sensor IP65 CCT White



### General Information

Dimensions (mm)	295 (Dia.) x 57 (D)
Materials	Base & Diffuser: Polycarbonate (UV Stabilised); LED Array: Aluminium Substrate
Colour	White (RAL9010)
Product Weight (Kg)	0.84
Ingress Protection	IP65
Flammability Rating	UL94-V2
Mounting	Ceiling or Wall
Warranty (Years)	5

### Supply & Power Information

Continuous Operating Voltage (AC) (Hz)	220-240 (50/60)
Safety Class	II
Circuit Wattage (W)	16
LED Wattage (W)	16
Input Current (mA)	120
Power Factor	>0.95
Driver Information	Integrated
Operating Temperature (°C)	-15 to +50
Maximum Critical Temperature (°C)	+80
Input Terminations	3 Pole Push-fit Terminals

### Luminaire Output

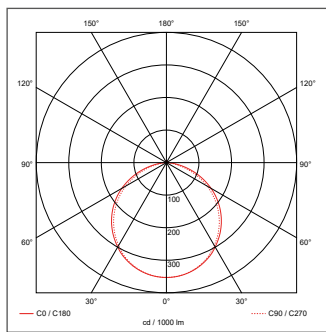
Colour Temperature (K)	3000	4000	6000
Typical Luminous Flux (lm)	1440	1500	1480
Efficacy (lm/W)	90	93	92
Beam Angle (°)	112		
Corridor Luminous Flux (15%)	144	150	148
Corridor Luminous Flux (30%)	432	450	444
Colour Rendering Index (CRI)	>80		
LED Lifetime (L70) (Hours)	30000		

### Dimming Information

Dimmable	Yes
Dimming Format	Corridor Function
Corridor Dimming Levels (%)	10 or 25

### Sensor Information

Detection Area Settings (%)	50 or 100
Dimming Levels - Corridor Function (%)	10 or 30
Detection Angle (°)	≤150
Light Level Settings (Lux)	15 / Disable
HF System	5.8GHz ±75MHz
Master/Slave Facility	Not Available



OVIA Limited, Scolmore House, Mariner, Lichfield Road Industrial Estate,

Tamworth, Staffordshire, B79 7UL United Kingdom

T: +44 (0)1827 300640

E: sales@oviaUK.com | W: oviaUK.com



Catalogue



Section



DoC



Installation

