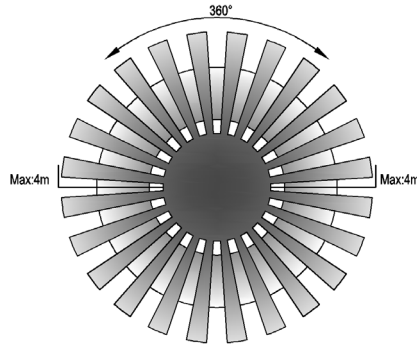
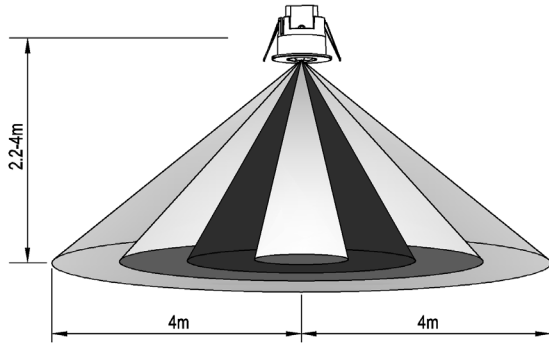


DETECTION AREA & MANUAL OVERRIDE

Height of installation: 2.2-4M

Detection Distance: Max.8m



Manual Override

With a switch wired in line with the live input, within 3 seconds press the switch OFF then ON and then OFF and ON again. The sensor will remain in the 'ON' position until either manually reset (turn OFF wait longer than 3 seconds and then turn ON) or will automatically reset after 8 hours.

ADJUSTMENTS & MAINTENANCE

The sensor has two areas of adjustment by carefully rotating the following dials:


- Time**

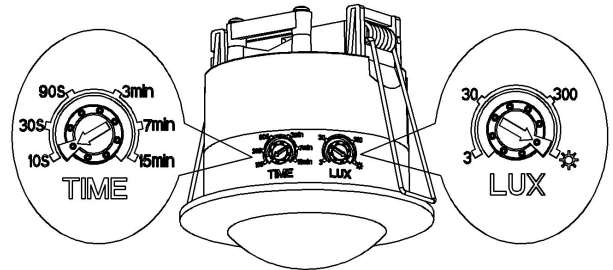
This is the 'ON' period when the sensor is activated.

Can be set between 10 seconds and 15 minutes.

- Lux**

Sets the light level for when activate is required. The lower the lux level the darker the environment before triggering.

Adjustment from 3 lux minimum  to 2000 lux maximum .



- Clean with a soft dry cloth only, do not use aggressive cleaning products or solvents which may damage the fitting.

SPECIFICATIONS

Input Voltage/Frequency	220V-240V ~ 50/60Hz	
Load Rating	LED & Compact Fluorescent	600W
	Incandescent & Halogen	1200W
Zero Cross Technology	Yes	
Dimensions	Overall	76mm Diameter x 69mm (D)
	Recess Depth	65mm
	Cutout	65mm Diameter
Ingress Protection	IP20	
Power Consumption	0.5W	
Detection Motion Speed	0.6-1.5m/s	
Working Humidity	<93%RH	
Working Temperature	-20°C to +40°C	
Installation Height	2.2 Metres to 4 Metres	
Detection Distance	8 Metres Max. (<24°C)	
Detection Angle	360°	
Manual Adjustments	Time Delay	10 Seconds (Min. +-3 Seconds) to 15 Minutes (Max. +- 2 Minutes)
	Lux Level	3 Lux (Minimum) to 2000 Lux (Maximum)
Warranty	5 Years	

COMPLIANT WITH:

The product(s) have been tested and comply with the following:

- LVD (2014/35/EU) & EMC (2014/30/EU) Directives
- EN 61547: 2009
- EN 61000-3-2: 2014
- EN 60669-1: 1999 + A1: 2002 + A2: 2008
- EN 55015: 2013 +A1: 2015
- EN 61000-3-3: 2013
- EN 60669-2-1: 2004 + A1: 2009 + A12: 2010



Errors & Omissions excluded. Specification is subject to change without notice.

OVIA Limited, Scolmore House, Mariner, Lichfield Road Ind. Estate, Tamworth, Staffordshire, B79 7UL

Telephone: 01827 300640
E-mail: technical@oviaUK.com



Website: www.oviaUK.com

Rev.2.0

GENERAL INFORMATION

PLEASE READ INSTRUCTION BEFORE COMMENCING INSTALLATION AND RETAIN FOR FUTURE REFERENCE.

**Electrical products can cause death or injury, or damage to property.
If in any doubt about the installation or use of this product, consult a competent electrician.**

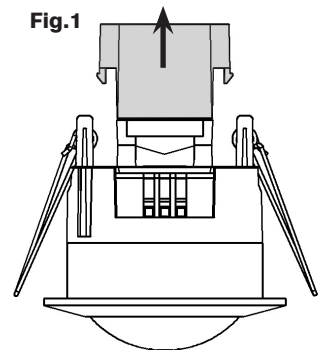
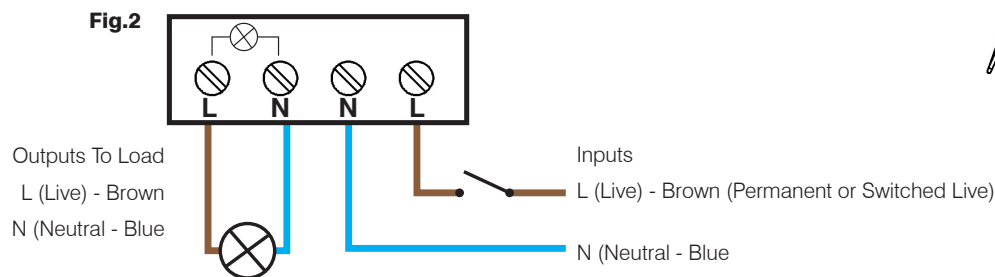
- Before commencing any electrical work, ensure the mains isolator on the consumer unit / fuse board is in the 'OFF' position, to prevent the possibility of electric shock.
- Before commencing installation, ensure the fitting is complete with the fixings required.
- The fitting should be mounted on a smooth, flat surface, noting the position of any pipes or wiring behind the fixed surface to prevent the risk of damage.
- Installation should be carried out in accordance with the latest edition of the National Wiring Regulations. If in any doubt please consult a qualified electrician.

INSTALLATION

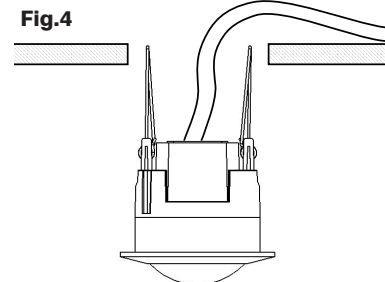
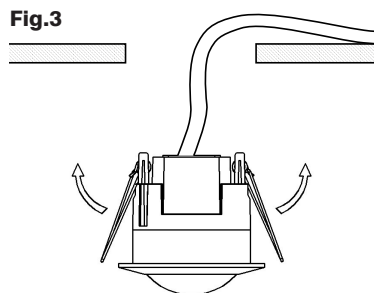
Note: Position the sensor in a suitable location ensuring the activation area is away from heat and light sources, air vents or highly reflective surfaces as this may cause unwanted activations.


Recommended installation height of between 2.2 metres to 4 metres.

- Suitable cable & power is to be supplied to the point of installation with connectors/junction boxes used where required.
- The sensor requires an aperture of 65mm diameter with a minimum recess depth of 70mm.
- To access the terminations remove the clear cover fixing screw and clear cover, Fig.1.
- The PIR features a manual over-ride 'ON' facility. The 'Live' input can be switched. See overleaf.
- Install the cables through the cable restraint and in to the terminals, Fig.2.



- Ensure correct polarity and terminals are securely fastened. (An earth terminal is available if required though not essential as the product is double insulated).
- Refit the clear cover and the original screw removed ensuring secure.



- With the aperture cut and cables terminated, rotate the fixing springs vertically, Fig.3 & Fig.4, and insert the fitting in to the aperture.
- The spring arms will pull the sensor against the ceiling and in to position.
- The power can be turned on. The sensor will require 30 seconds to initialise prior to start sensing movement.
- To test the sensor set the time dial to 10s and the lux level to , alternatively place a dark clean dry cloth over the sensor.