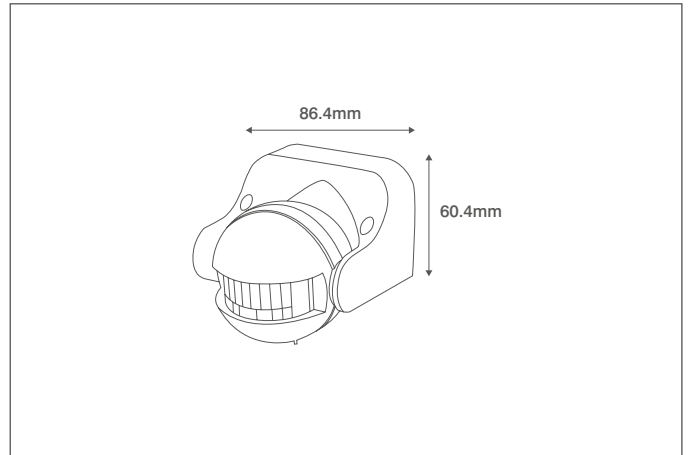


CONTROLS

Technical Specification

Product Code: OVPIR001BK

Description: Wall Mounted Tilttable 180° PIR IP44 Black



General Information

Dimensions (mm)	86.4 (W) x 96 (D) x 60.4 (H)
Materials	Body: Polycarbonate (UV Stabilised)
Finish	Black
Product Weight (Kg)	0.14
Working Humidity (%RH)	<93
Ingress Protection	IP44
Warranty (Years)	3

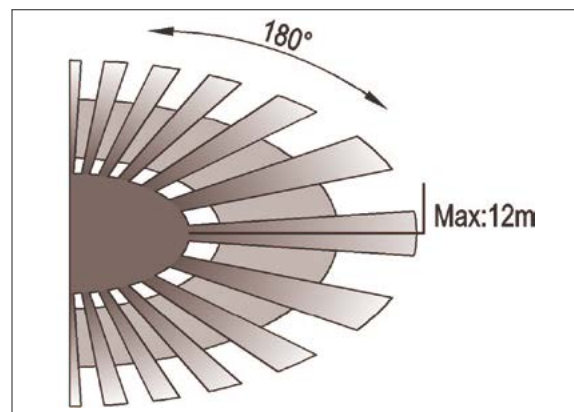
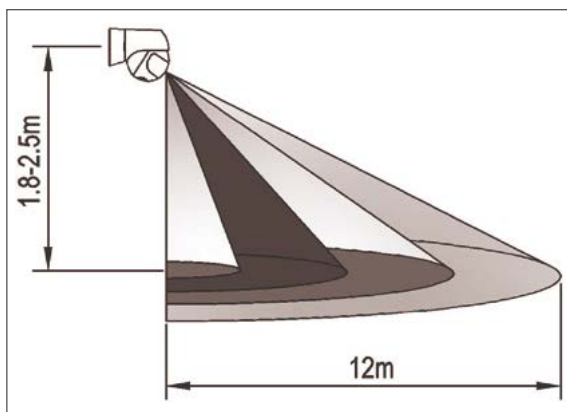
Supply & Power

Input Voltage & Frequency (V~ / Hz)	50/60
Terminations Input:	Permanent Live & Neutral
Output:	Switched Live (All Screw Terminals)
Safety Class	II
Load Rating - LED & CFL(W)	300
Load Rating - Incan. & Halogen (W)	1200
Power Consumption	0.5

Sensor Parameters & Settings

Installation Height (m)	1.8 up to 2.5	
Detection Distance (m)	up to 12	
Detection Angle (°)	180	
Detection Motion Speed	0.6 to 1.5	
Manual Adjustments	Adjustment Type	Rotary Controls
	Time Delay	10 Seconds (Min. +3 Seconds) to 7 Minutes (Max. + 2 Minutes)

Detection Area Schematics



OVIA Limited, Scolmore House, Mariner, Lichfield Road Industrial Estate,
 Tamworth, Staffordshire, B79 7UL United Kingdom
 T: +44 (0)1827 300640
 E: sales@oviaUK.com | W: oviaUK.com

