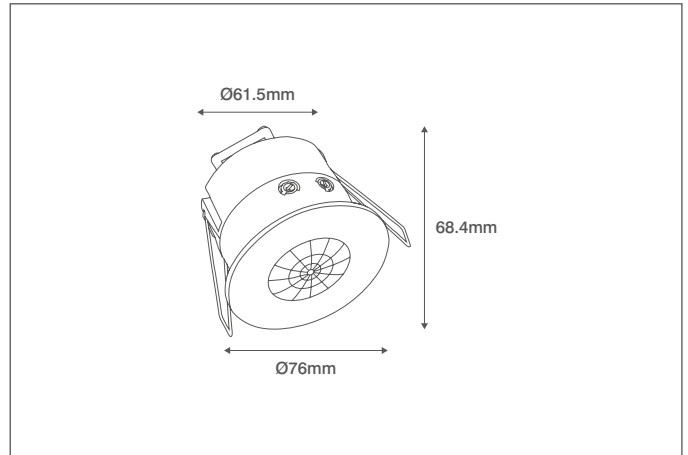


# CONTROLS

## Technical Specification

Product Code: OVPIR009WH

Description: Recessed 360° Low Profile Flush PIR With Manual Override White



### General Information

Dimensions (mm)	76 (Dia.) x 68.4 (D)
Materials	Body: Polycarbonate (UV Stabilised)
Finish	White
Cutout Diameter (mm)	65
Recess Depth (mm)	65
Product Weight (Kg)	0.1
Working Humidity (%RH)	<93
Ingress Protection	IP20
Warranty (Years)	5

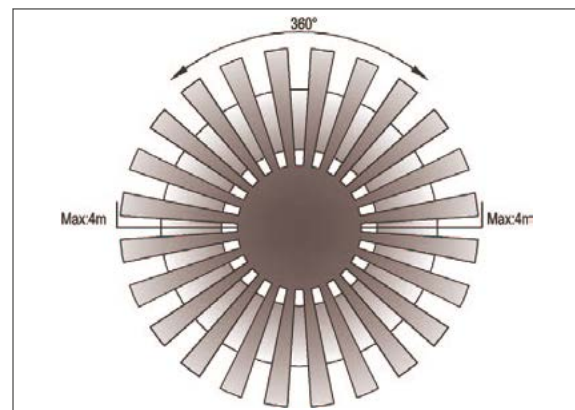
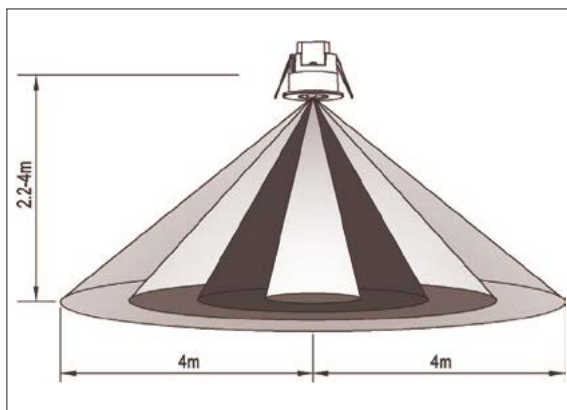
### Supply & Power

Input Voltage & Frequency (V~ / Hz)	50/60
Terminations Input:	Permanent Live & Neutral
Output:	Switched Live & Neutral (All Screw Terminals)
Safety Class	II
Load Rating - LED & CFL(W)	600
Load Rating - Incan. & Halogen (W)	1200
Zero Cross Technology	Yes
Power Consumption	0.5

### Sensor Parameters & Settings

Installation Height (m)	2.2 up to 4	
Detection Diameter (m)	up to 8	
Detection Distance (m)	up to 4	
Detection Angle (°)	360	
Detection Motion Speed	0.6 to 1.5	
Manual Adjustments	Adjustment Type	Rotary Controls
	Time Delay	10 Seconds (Min. +3 Seconds) to 15 Minutes (Max. + 2 Minutes)

### Detection Area Schematics



OVIA Limited, Scolmore House, Mariner, Lichfield Road Industrial Estate,  
 Tamworth, Staffordshire, B79 7UL United Kingdom  
 T: +44 (0)1827 300640  
 E: sales@oviaUK.com | W: oviaUK.com

