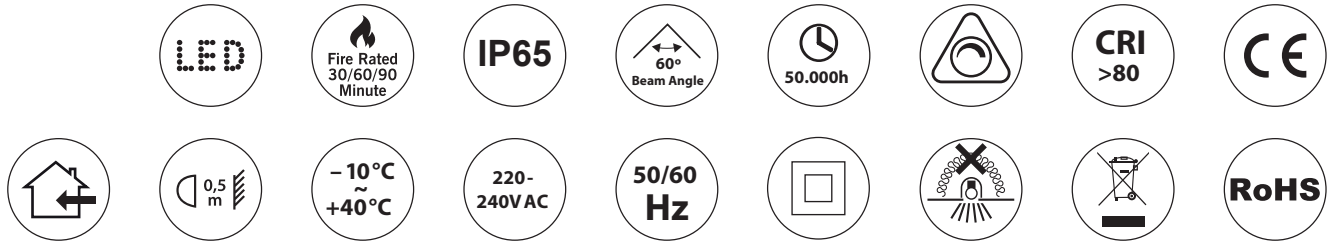


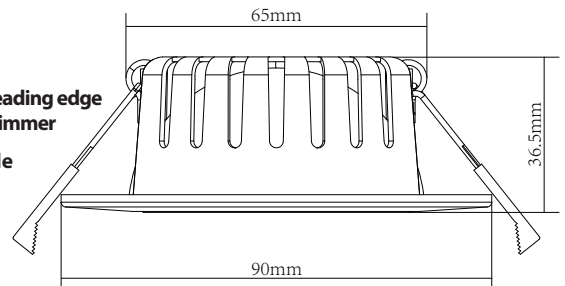
# Spa



## Warning

1. Installation only to be carried out by qualified electrician
2. Please ensure surface is suitable and capable of holding the luminaire and driver weight
3. Pre-cut hole before installation, (see below chart for hole diameter)
4. Do not operate if product is damaged
5. IP65 rated front, suitable for bathroom zones 1 & 2
6. This product is suitable for fire rated installations, Part L Compliant of UK Building Regulations, Part B Compliant BS476 Parts 21 and 22-Suitable for 30 minute 600mm/15mm single layer Standard Wallboard, 60 minute 600mm/12.5mm twin layer Fireboard and 90 minute 450mm/15mm twin layer Fireboard ceilings

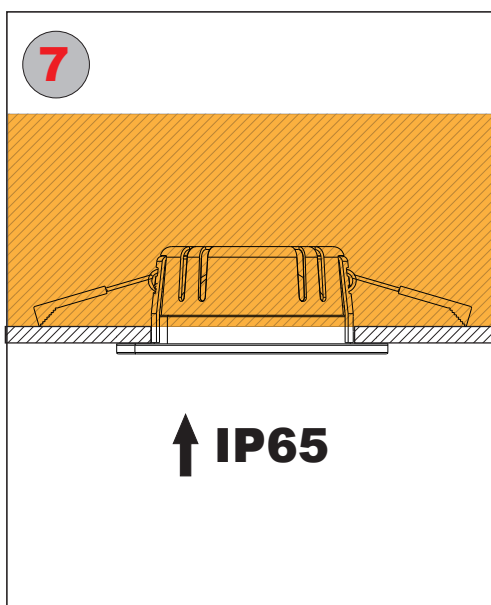
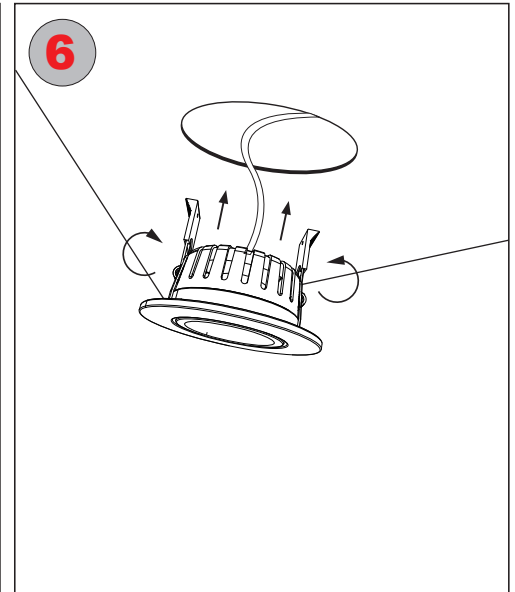
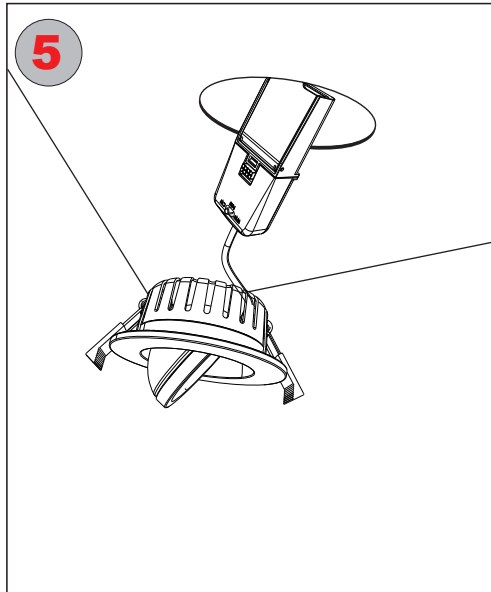
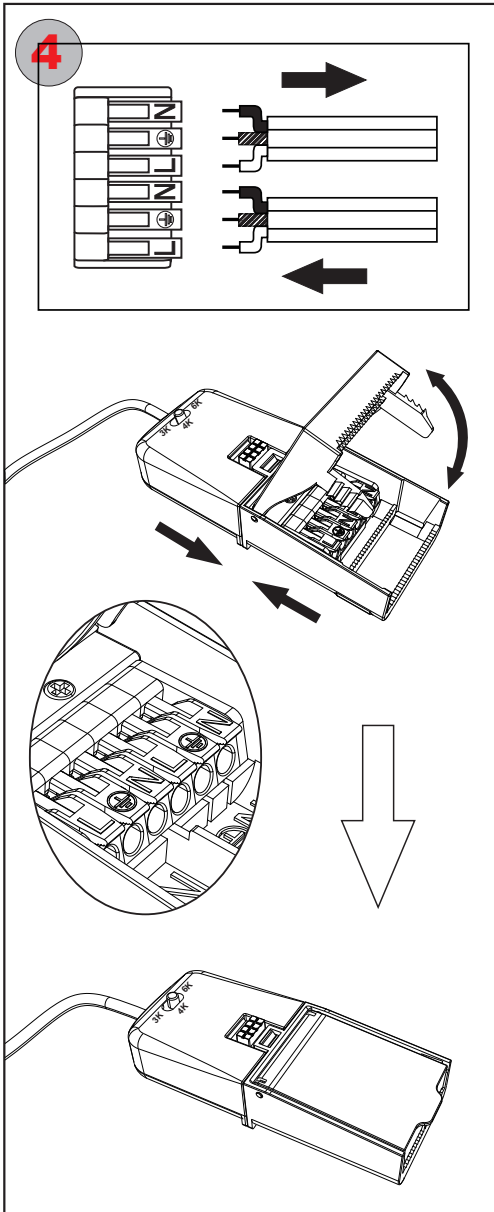
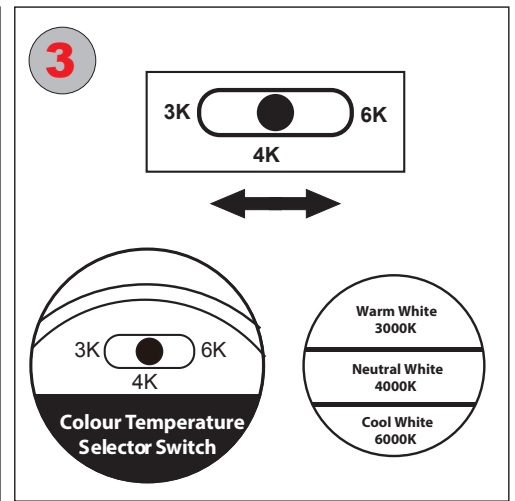
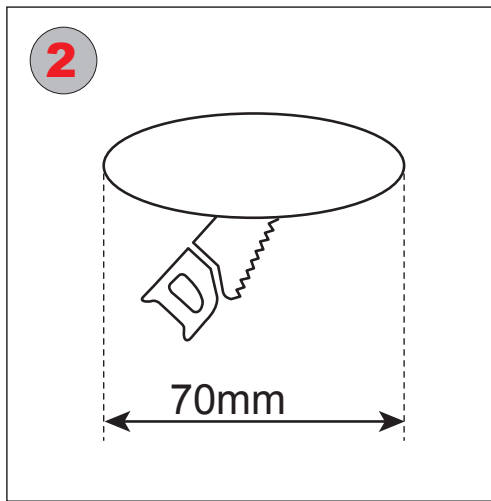
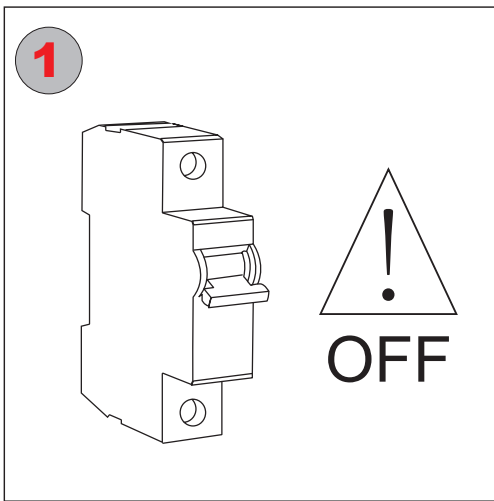
<b>Voltage:</b>	<b>220-240V AC</b>	<b>CRI:</b>	<b>&gt; 80Ra</b>
<b>Lampless:</b>	<b>Built in LED</b>	<b>Connection:</b>	<b>Plug &amp; play</b>
<b>Wattage:</b>	<b>7W</b>	<b>Beam Angle:</b>	<b>60°</b>
<b>Lumens:</b>	<b>700lm</b>	<b>Dimmable:</b>	<b>Dimmable with leading edge or trailing edge dimmer</b>
<b>Colour Temperature:</b>	<b>3000K/4000k/6000k</b>	<b>Driver:</b>	<b>Non-Detachable</b>
<b>Cut Out:</b>	<b>70-75mm</b>		
<b>Minimum Void:</b>	<b>40mm.</b>		
<b>Bezel Finish:</b>	Supplied with White, Black, Chrome, Satin Brass		



1. This product must be installed by a qualified electrician in accordance with instructions provided and in compliance with recognised electrical and safety regulations relevant to the country it is being installed.
2. The product and its associated control gear are designed to operate on 220-240volts 50Hz.
3. This downlighter range is designed to be installed in a ceiling tile/solid material with a minimum dimension of 3mm thickness.
4. This product is for Indoor use only.
5. Minimum Clearance is 40mm above the installed fitting, and no product should be installed within 40mm of any joist.

## Specific Installation details

1. Ensure the AC/mains power is not connected and cannot be reconnected during installation.
2. For new installations use cutting tools suitable for the material and carefully cut the required hole to allow installation. (Figure 2)
3. For Refurbishment installations ensure that the existing hole is suitable and strong enough to hold the new downlight. Support the surrounding area if required.
4. Connect the AC/mains cable to the driver using the marked terminals provided. Incoming Cable connections are, L=Live power conductor(brown), N = Neutral power conductor(blue). The driver offered is Class II.
5. Remove downlighter from box and connect to the driver via the connection system provided. (Fig.4)
6. Raise the springs and place the downlight into the tile cut-out ensuring that both the driver and mains power cable are not trapped. (Fig.6)
7. Once correctly connected, position the downlighter fully into the aperture so that the outer flange is flush with the installed ceiling tile/solid material. (Fig 7)



## Helpline

If you receive this item with parts broken or missing, please telephone: **0333 0050077**

Please have ready your name, address, tel. no., product reference, where purchased and parts required. An answering service is in operation outside office hours and during busy periods.

**We regret that we are unable to give advice on internal house wiring.**



Cascade Holdings Ltd, Gorse Mill, Gorse Street, Chadderton, Oldham. OL9 9RJ

EU Authorised Representative: Authorised Rep Compliance,  
Ground Floor, 71 Lower Baggot Street, Dublin, Ireland,  
D02P593.