

JCC Technical Department

Product Data Sheet



Issue C – 10.02.2015 RCS

Product Range: **FGLED6**

Fitting Reference: **JC94472**

Product Group **LED – Recessed**

General Information	
Description	FGLED6 6W Dimmable Downlight 38° Beam
Finishes Available	Brushed Nickel, Chrome and White
Luminaire Weight inc Driver	0.3Kg
Recommended Product Location	Suitable for Indoor Use
Minimum Void Requirement	110mm
Method Of Fix	Using Spring Clips Provided
Cut Out Ø	Ø72-74mm for 12.5mm thick 30minute ceilings Ø79-81mm for 30mm thick 60-90 minute ceilings
Max Angle Of Tilt & Rotation	N/a
Ingress Protection (IP)	IP65
Suitable For Zones	Zone 1
Recommended Fire Hood	N/a
Luminaire Accessories	Concealer Ring (JC94183), Convertor Plate (JC94180)
Electrical	
Input Voltage To Driver	220-240V~
Operating Frequency Hz	50/60Hz
Output Supply To LED	19V
CC or CV	Constant Current
Luminaire Circuit Wattage	9W
Primary Running Current	41.25mA
Secondary Running Current	310mA
THD %	1.7%
Class	Class 1, Must be Earthed
EMC Compliant (EN55015)	Yes
Power Factor Correction	0.9
Input Electrical Connections	Live, Earth, Neutral (Loop in/ Loop out)
Dimmable	Yes (Approved Dimmers Only)
Thermals	
Max Luminaire Ambient Temp.	26°C
Max Driver Ambient Temp.	50°C
Driver Tc	70°C
Thermal Cut Out	100°C
Insulation Coverage	Can be loosely covered with mineral wool insulation
Minimum Free Air Space	At least 50mm above and to the sides

JCC Lighting Products Limited

Innovation Centre, Beeding Close, Southern Cross Trading Est,
Bognor Regis, West Sussex PO22 9TS

Company registration number: 03044848 | VAT number: 918544112

T: 01243 838999 | F: 01243 838998 | sales@jcc.co.uk | www.jcc.co.uk

ADVANCED LIGHTING

Performance Data	
Lumen Output	450
Lumens Per Circuit Watt	75 lm/W
LED Life (Hours)	75,000
CRI: Ra	80
Colour Temperature (K)	3000K
Luminaire Beam Angle	38°
LOR (%)	95%
Photometry Available	Yes, on request
Construction	
Heat Sink	Extruded Aluminium
Main Chassis	Mild Steel
Rim or Attachment	Die-Cast Aluminium
Driver Housing	Polycarbonate
Reflector	N/a
Lens	PMMA Plastic
Diffuser	N/a
Packaging	
Luminaire Carton Dimensions	130mm x 105mm x 95mm
Quantity Per Outer Carton	20
Bar Code EAN Number	5052544036132 (BN), 5052544036149 (CH), 5052544036156 (WH)
Packaged Weight	0.4Kg
Standards & Approvals	
In Accordance To	BS EN 00598-2-1
Driver ENEC Approval	No
CE Marked	Yes
Batch Coded	Yes
Certificate Of Conformity	Yes, Available on Request
Quality Assurance System	QMS ISO9001:2008

JCC Lighting Products Limited

Innovation Centre, Beeding Close, Southern Cross Trading Est,
Bognor Regis, West Sussex PO22 9TS

Company registration number: 03044848 | VAT number: 918544112

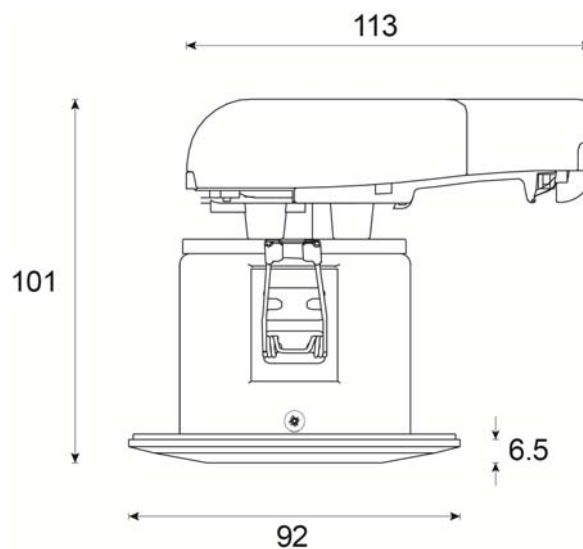
T: 01243 838999 | F: 01243 838998 | sales@jcc.co.uk | www.jcc.co.uk

ADVANCED LIGHTING

JC94472 Image



JC94472 Profile Drawing



JCC Lighting Products Limited

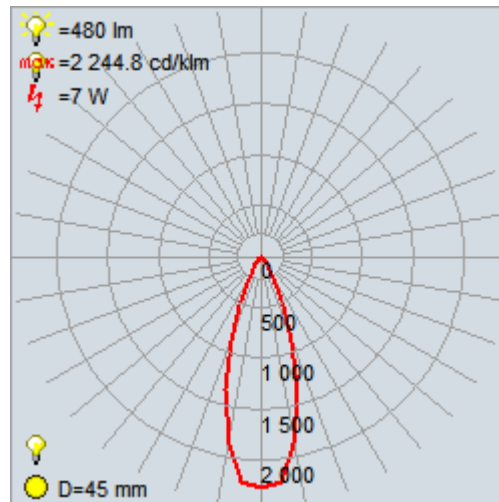
Innovation Centre, Beeding Close, Southern Cross Trading Est,
Bognor Regis, West Sussex PO22 9TS

Company registration number: 03044848 | VAT number: 918544112

T: 01243 838999 | F: 01243 838998 | sales@jcc.co.uk | www.jcc.co.uk

ADVANCED LIGHTING

JC94472 Photometric Data



JCC Lighting Products Limited

Innovation Centre, Beeding Close, Southern Cross Trading Est,
Bognor Regis, West Sussex PO22 9TS

Company registration number: 03044848 | VAT number: 918544112

T: 01243 838999 | F: 01243 838998 | sales@jcc.co.uk | www.jcc.co.uk

ADVANCED LIGHTING