



MASTER LEDluster

MASTER LEDluster D 4-25W E14 827 P45 CL

Delivering incandescent-like sparkling light effects, MASTER LEDluster bulbs are ideal for general and decorative lighting in the hospitality industry, as well as in home environments. The dimmable MASTER LEDlusters drive further efficiencies, while helping to create the desired atmosphere. Mounted in full view in chandeliers, wall scones or modern luminaires, the clear or frosted glass bulbs fit all existing fixtures with an E14, E27 and B22 socket. Drawing upon inputs from chandelier makers and designed to enhance the aesthetic appeal of the chandelier or luminaire, not only when lit but also when not, these lamps come in a classical slender shape with a unique, eye-catching lens design. They produce a beautiful sparkling warm light that delivers huge energy savings and minimizes maintenance cost.

Product data

• General Characteristics

Cap-Base	E14
Bulb	P45 [P 45mm]
Bulb Finish	Clear
Rated Lifetime (hours)	20000 hr
Rated Lifetime (years)	13 an
Nominal Lifetime hours	20000 hr

• Light Technical Characteristics

Color Code	827
Color Designation (text)	Warm White
Correlated Color Temperature	2700 K
Luminous Flux	250 Lm
Color rendering index	80
Color Temperature	2700 K [CCT 2700K]
Rated Luminous Flux	250 Lm
LLMF - end nominal lifetime	20000 %
Colour consistency	6 steps

• Electrical Characteristics

Wattage	4 W
Wattage Technical	4 W
Voltage	220-240 V
Line Frequency	50-60 Hz
Power Factor	0.5 -
Lamp Current mA	30 mA
Dimmable	Yes
Wattage Equivalent	25 W

Rated Wattage	4.0 W
Starting Time	0.1 (max) s

• Temperature Characteristics

T-case maximum	85 C
----------------	------

• Environmental characteristics

Energy Efficiency Label (EEL)	A+
-------------------------------	----

• Measuring Conditions

Switching cycle	50000x
-----------------	--------

• Product Dimensions

Overall Length C	85 mm
Diameter D	46 mm

• Product Data

Order code	929000240702
Full product code	929000240702
Full product name	MASTER LEDluster D 4-25W E14 827 P45 CL
Order product name	MAS LEDluster D 4-25W E14 827 P45 CL
Pieces per pack	1
Packing configuration	10
Packs per outerbox	10
Bar code on pack - EAN1	8718291669913
Bar code on outerbox - EAN3	8718291669920



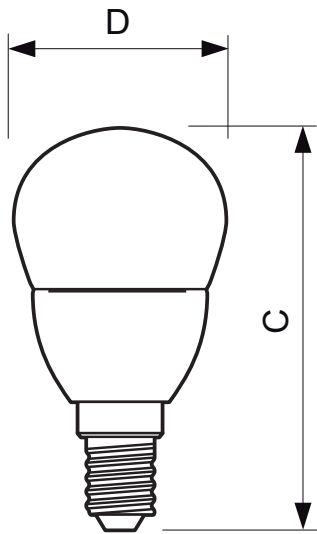
PHILIPS

MASTER LEDluster

Logistic code(s) - 929000240702
12NC

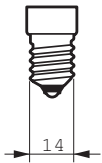
Net weight per piece 0.038 kg

Dimensional drawing



MASTER LEDluster D 4-25W E14 827 P45 CL

Product	C (Norm)	D (Norm)
LED D 4-25W E14 827 P45 CL	85	46



E14



© 2013 Koninklijke Philips N.V. (Royal Philips)
All rights reserved.

Specifications are subject to change without notice. Trademarks are the property of Koninklijke Philips N.V. (Royal Philips) or their respective owners.

www.philips.com/lighting

2013, November 26
data subject to change



MASTER LEDluster

MASTER LEDluster D 4-25W E27 827 P45 CL

Delivering incandescent-like sparkling light effects, MASTER LEDluster bulbs are ideal for general and decorative lighting in the hospitality industry, as well as in home environments. The dimmable MASTER LEDlusters drive further efficiencies, while helping to create the desired atmosphere. Mounted in full view in chandeliers, wall scones or modern luminaires, the clear or frosted glass bulbs fit all existing fixtures with an E14, E27 and B22 socket. Drawing upon inputs from chandelier makers and designed to enhance the aesthetic appeal of the chandelier or luminaire, not only when lit but also when not, these lamps come in a classical slender shape with a unique, eye-catching lens design. They produce a beautiful sparkling warm light that delivers huge energy savings and minimizes maintenance cost.

Product data

• General Characteristics

Cap-Base	E27
Bulb	P45 [P 45mm]
Bulb Finish	Clear
Rated Lifetime (hours)	20000 hr
Rated Lifetime (years)	13 an
Nominal Lifetime hours	20000 hr

• Light Technical Characteristics

Color Code	827
Color Designation (text)	Warm White
Correlated Color Temperature	2700 K
Luminous Flux	250 Lm
Color rendering index	80
Color Temperature	2700 K [CCT 2700K]
Rated Luminous Flux	250 Lm
LLMF - end nominal lifetime	20000 %
Colour consistency	6 steps

• Electrical Characteristics

Wattage	4 W
Wattage Technical	4 W
Voltage	220-240 V
Line Frequency	50-60 Hz
Power Factor	0.5 -
Lamp Current mA	30 mA
Dimmable	Yes
Wattage Equivalent	25 W

Rated Wattage	4.0 W
Starting Time	0.1 (max) s

• Temperature Characteristics

T-case maximum	85 C
----------------	------

• Environmental characteristics

Energy Efficiency Label (EEL)	A+
-------------------------------	----

• Measuring Conditions

Switching cycle	50000x
-----------------	--------

• Product Dimensions

Overall Length C	90 mm
Diameter D	46 mm

• Product Data

Order code	929000241002
Full product code	929000241002
Full product name	MASTER LEDluster D 4-25W E27 827 P45 CL
Order product name	MAS LEDluster D 4-25W E27 827 P45 CL
Pieces per pack	1
Packing configuration	10
Packs per outerbox	10
Bar code on pack - EAN1	8718291669951
Bar code on outerbox - EAN3	8718291669968



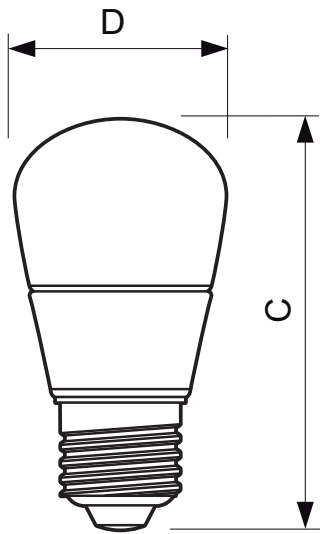
PHILIPS

MASTER LEDluster

Logistic code(s) - 929000241002
12NC

Net weight per piece 0.052 kg

Dimensional drawing



MASTER LEDluster D 4-25W E27 827 P45 CL

Product	C (Norm)	D (Norm)
LED D 4-25W E27 827 P45 CL	90	46



E27



© 2013 Koninklijke Philips N.V. (Royal Philips)
All rights reserved.

Specifications are subject to change without notice. Trademarks are the property of Koninklijke Philips N.V. (Royal Philips) or their respective owners.

www.philips.com/lighting

2013, November 26
data subject to change



MASTER LEDluster

MASTER LEDluster D 4-25W B22 827 P45 CL

Delivering incandescent-like sparkling light effects, MASTER LEDluster bulbs are ideal for general and decorative lighting in the hospitality industry, as well as in home environments. The dimmable MASTER LEDlusters drive further efficiencies, while helping to create the desired atmosphere. Mounted in full view in chandeliers, wall scones or modern luminaires, the clear or frosted glass bulbs fit all existing fixtures with an E14, E27 and B22 socket. Drawing upon inputs from chandelier makers and designed to enhance the aesthetic appeal of the chandelier or luminaire, not only when lit but also when not, these lamps come in a classical slender shape with a unique, eye-catching lens design. They produce a beautiful sparkling warm light that delivers huge energy savings and minimizes maintenance cost.

Product data

• General Characteristics

Cap-Base	B22
Bulb	P45 [P 45mm]
Bulb Finish	Clear
Rated Lifetime (hours)	20000 hr
Rated Lifetime (years)	13 an
Nominal Lifetime hours	20000 hr

• Light Technical Characteristics

Color Code	827
Color Designation (text)	Warm White
Correlated Color Temperature	2700 K
Luminous Flux	250 Lm
Color rendering index	80
Color Temperature	2700 K [CCT 2700K]
Rated Luminous Flux	250 Lm
LLMF - end nominal lifetime	20000 %
Colour consistency	6 steps

• Electrical Characteristics

Wattage	4 W
Wattage Technical	4 W
Line Frequency	50-60 Hz
Power Factor	0.5 -
Lamp Current mA	30 mA
Dimmable	Yes
Wattage Equivalent	25 W
Rated Wattage	4.0 W

Starting Time 0.1 (max) s

• Temperature Characteristics

T-case maximum 85 C

• Environmental characteristics

Energy Efficiency Label (EEL) A+

• Measuring Conditions

Switching cycle 50000x

• Product Dimensions

Overall Length C 89 mm
Diameter D 46 mm

• Product Data

Order code	929000241202
Full product code	929000241202
Full product name	MASTER LEDluster D 4-25W B22 827 P45 CL
Order product name	MAS LEDluster D 4-25W B22 827 P45 CL
Pieces per pack	1
Packing configuration	10
Packs per outerbox	10
Bar code on pack - EAN1	8718291669999
Bar code on outerbox - EAN3	8718291670001
Logistic code(s) - 12NC	929000241202

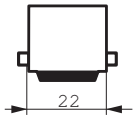
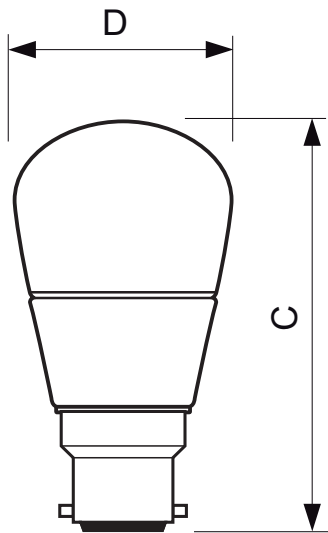


PHILIPS

MASTER LEDluster

Net weight per piece 0.052 kg

Dimensional drawing



B22

MASTER LEDluster D 4-25W B22 827 P45 CL

Product	C (Norm)	D (Norm)
LED D 4-25W B22 827 P45 CL	89	46



© 2013 Koninklijke Philips N.V. (Royal Philips)
All rights reserved.

Specifications are subject to change without notice. Trademarks are the property of Koninklijke Philips N.V. (Royal Philips) or their respective owners.

www.philips.com/lighting

2013, November 26
data subject to change