

# CoreLine Wall-mounted

## WL120V LED12S/840 PSR WH



WL120V - LED Module, system flux 1200 lm - Power supply unit regulating

Whether for a new building or renovation of an existing space, customers want lighting solutions that provide quality of light and substantial energy and maintenance savings. The new CoreLine Wall-mounted range of LED products can be used to replace traditional wall-mounted luminaires incorporating compact fluorescent lamps. The process of selecting, installing and maintaining is so easy – it's a simple switch.

### Product data

#### • General information

Product family code	WL120V [WL120V]
Number of light sources	1 [1 pc]
Lamp family code	LED12S [LED Module, system flux 1200 lm]
Lamp colour code	840 [840 neutral white]
Light source replaceable	No [No]
Driver/power unit/transformer	PSR [Power supply unit regulating]
Driver included	Yes [Yes]
Emergency lighting	No [-]
Dimmable	Yes [Yes]
Connection	PIP [Push-in connector and pull relief]
Protection class IEC	CL1 [Safety class I]
Ingress protection code	IP65 [Dust penetration-protected, jet-proof]
Mech. impact protection code	IK10 [20 ] vandal-resistant]
Colour	WH [White]
Glow-wire test	850/30 [Temperature 850 °C, duration 30 s]
CE mark	CE [CE mark]

#### • Electrical

Input voltage	220-240 V [220 to 240 V]
Input frequency	50-60 Hz [50 to 60 Hz]

#### • Mechanical

Housing material	COMP [Composite materials]
Optical cover/lens material	PC [Polycarbonate]

#### • Initial perform. (IEC compliant)

Initial input power	18 W [18 W]
Initial luminous flux	1200 Lm
Initial LED luminaire efficacy	67 Lm/W
Lamp colour temperature	4000 [4000 K]
Colour Rendering Index	>80 [>80]

#### • Over time perform. (IEC compliant)

Median useful life L90B50	15000 hr
Median useful life L80B50	30000 hr
Median useful life L70B50	50000 hr
Driver failure rate at 5000 h	1 %

#### • Application conditions

Ambient temperature range	-20 to +35°C [-20 to +35 °C]
---------------------------	------------------------------

#### • Product Data

Order code	066355 99
Full product code	871869606635599
Full product name	WL120V LED12S/840 PSR WH
Order product name	WL120V LED12S/840 PSR WH
Pieces per pack	1
Packs per outerbox	6
Bar code on pack - EAN1	8718696066355



# PHILIPS

## CoreLine Wall-mounted

Bar code on  
outerbox - EAN3  
Logistic code(s) -  
12NC

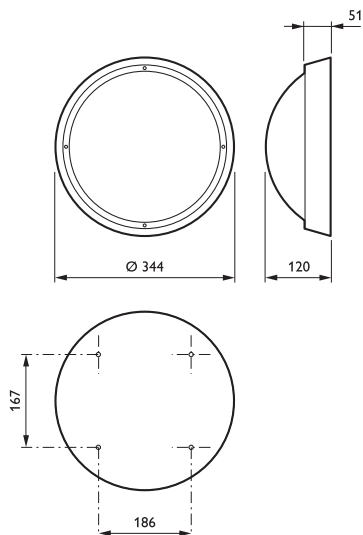
8718696066478

910503910012

Net weight per piece 1.530 kg



### Dimensional drawing

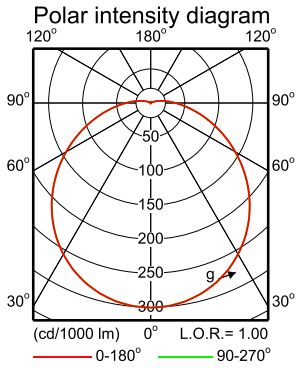


WL120V LED12S/840 PSR WH



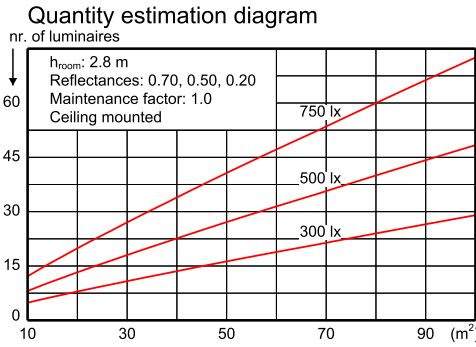
WL120V LED12S/840

1 x 1200 lm



Light output ratio 1.00  
 Service upward 0.05  
 Service downward 0.95  
 CIE flux code 43 72 91 95 100  
 S/H ratio crosswise max. 1.6  
 lengthwise max. 1.7  
 UGRcen (4Hx8H, 0.25H) 21  
 UTE71-121: 0.95E + 0.05T

LVE2375700

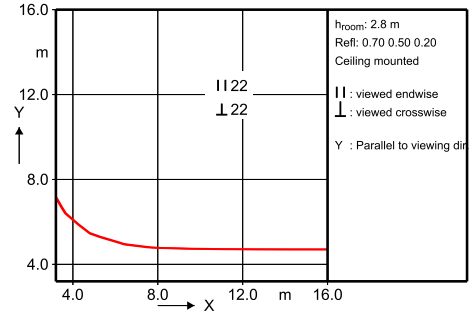


Utilisation factor table

Room Index k	Reflectances for ceiling, walls and working plane (CIE)											
	0.80	0.80	0.70	0.70	0.70	0.70	0.50	0.50	0.30	0.30	0.00	0.00
0.60	0.46	0.43	0.45	0.44	0.43	0.35	0.34	0.29	0.34	0.29	0.27	0.27
0.80	0.56	0.52	0.54	0.53	0.51	0.44	0.42	0.37	0.41	0.37	0.34	0.34
1.00	0.64	0.59	0.62	0.60	0.58	0.51	0.49	0.44	0.48	0.43	0.40	0.40
1.25	0.72	0.66	0.70	0.68	0.65	0.58	0.56	0.51	0.55	0.50	0.47	0.47
1.50	0.79	0.71	0.76	0.73	0.70	0.63	0.61	0.56	0.60	0.55	0.52	0.52
2.00	0.88	0.79	0.86	0.81	0.78	0.71	0.69	0.65	0.67	0.64	0.60	0.60
2.50	0.95	0.84	0.92	0.87	0.82	0.77	0.75	0.71	0.73	0.69	0.66	0.66
3.00	1.00	0.88	0.96	0.91	0.86	0.81	0.79	0.75	0.76	0.73	0.70	0.70
4.00	1.06	0.92	1.02	0.96	0.90	0.86	0.84	0.81	0.81	0.79	0.75	0.75
5.00	1.10	0.95	1.06	0.99	0.93	0.90	0.87	0.84	0.84	0.82	0.78	0.78

Ceiling mounted

UGR diagram



Luminance Table

Plane Cone	0.0	45.0	90.0
45.0	4221	4217	4211
50.0	4008	4001	3997
55.0	3782	3776	3771
60.0	3542	3537	3530
65.0	3299	3293	3286
70.0	3043	3039	3033
75.0	2793	2788	2782
80.0	2549	2545	2543
85.0	2339	2335	2333
90.0	2189	2182	2186

(cd/m<sup>2</sup>)

2014-07-23

WL120V LED12S/840



© 2015 Koninklijke Philips N.V. (Royal Philips)  
 All rights reserved.

Specifications are subject to change without notice. Trademarks are the property of Koninklijke Philips N.V. (Royal Philips) or their respective owners.

[www.philips.com/lighting](http://www.philips.com/lighting)

2015, February 5  
 data subject to change