

<b>Product Description</b>			
<b>Product name</b>		SpotClip III	

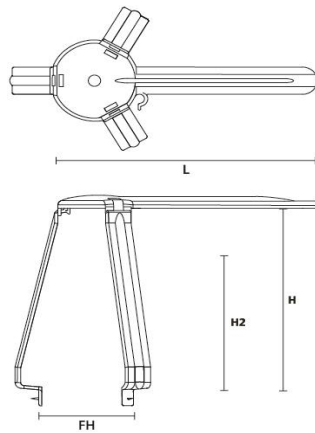
- |                              |  |
|------------------------------|--|
| <b>Features and benefits</b> | <ul style="list-style-type: none"> <li>: <b>Allows Thermal insulation to cover down lighter</b></li> <li>: Gives improved airflow around down lighter avoiding fire risk and premature lamp failure(particularly with LED Lamps)</li> <li>: Can be used in both panelling and plasterboard.</li> <li>: Can be installed from below or above ceiling</li> <li>: Gives extra support to insulation to keep Transformer or driver cool</li> <li>: Ensures a safe distance between the down light and insulation</li> <li>: Reduction of overheating and heat accumulation on insulation material.</li> <li>: Adjustable High stability by 3-leg-design.</li> <li>: Additional retaining spikes prevent shifting and displacement during mounting.</li> <li>: Mounting clips lock SpotClip locks easily in place in the ceiling cavity</li> <li>: The cable retainers on the SpotClip hold the supply cable in place and prevent it from coming into direct contact with the hot lamp.</li> <li>: The arrangement of the flexible mounting feet enables the clips for the downlighters to be snapped easily into place to allow for terminal boxes and fixing springs</li> </ul> |
|------------------------------|--|



<b>Material</b>	: Polyamide HS 6.6, fiber-glass reinforced (PA66HSGF 15%)
	: RoHS
	: Halogen Free
<b>Colour</b>	: Black
<b>Operating temperature</b>	: -20°C to +120°C
<b>Standards</b>	
<b>Flammability</b>	: Conforms to UL94 V1
	: EN60659-2-12 Glow Wire Test 960°C



Product	Hole Diameter (FH)	Height (H)	Height (H2)	Height (H3)
SpotClip III	65	123	120	92
	75	122.7	108	75
	80	122	91	63
	120	119	64	46
<b>L</b>	160	160	160	160



Product	Product Code	Pack Quantity
Spot Clip III		5
<b>Country of Origin</b>	France	